



Roller Blinds



SPECIFICATIONS



Roller Blinds - Index

SPECIFICATIONS

Hardware Overview 1 - 2

- RollEase® System 1
- Clutch 1
- Pin End 2
- Control Chain..... 2
- Geared Controller..... 2
- Fabric Fastening..... 2

Hardware Options 3 - 4

- Multi-Link Blinds..... 3
- Double Roller 3
- Motorisation 3
- Roller Blind Wire Guide 4
- Cord Tidy 4
- Soft Touch 4

Hardware..... 5 - 14

- Front and Back Roll Combinations.. 5
- Single Roller Options 6 - 7
- Double Roller Options
 - Standard Compact 8
 - Slimline..... 9
 - Double Roller 9 - 10
- Maximum Size Guidelines
 - Single Roller Blind..... 11-12
 - Double Roller Blind 13-14

Light Gaps..... 15 - 16

- Manual Operation..... 15
- Motorisation 16

Fascia System..... 17

- Square..... 17
- Double..... 17

Introduction to Fabric..... 18

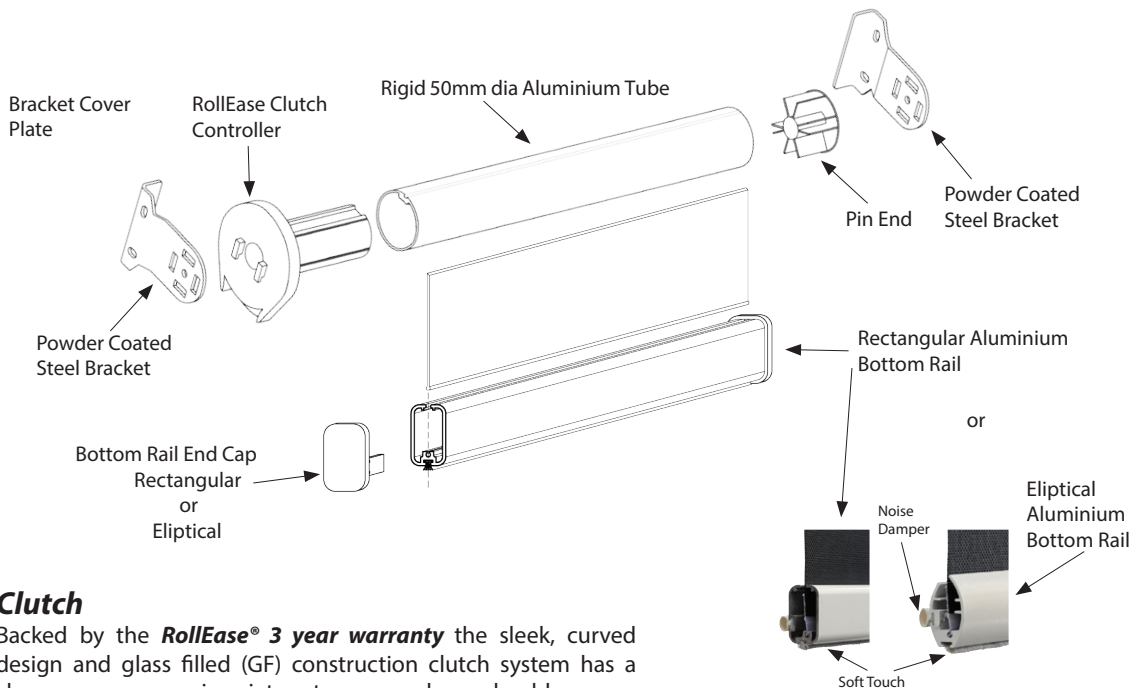
- Sunscreen
- Light Filtering
- Block-out

Motorisation Options 19-24

- Somfy® 19-22
- Rollease Acmeda 23-24

Hardware - Overview

Window Treatments' **RollEase**® system incorporates various operating systems for an entire range of coordinated, premium commercial/residential roller blind products. Colours available for the **RollEase**® Clutch Controller, Pin End, Brackets, Bracket Cover Plates and Bottom Rail End Caps are: White, Black.

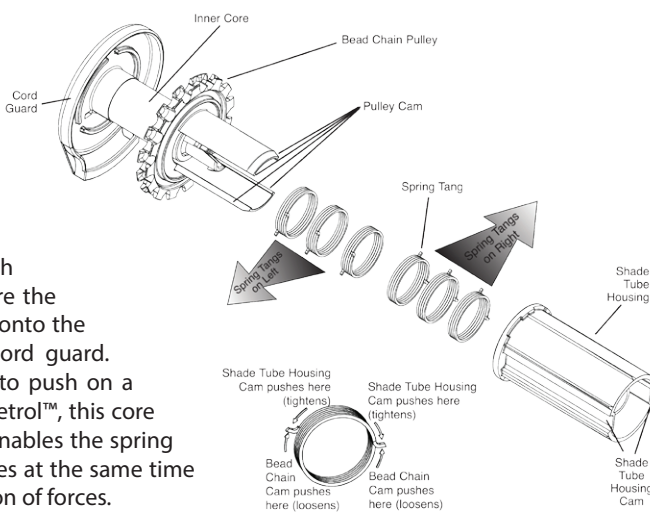


Clutch

Backed by the **RollEase**® 3 year warranty the sleek, curved design and glass filled (GF) construction clutch system has a cleaner appearance, is quieter, stronger and very durable.

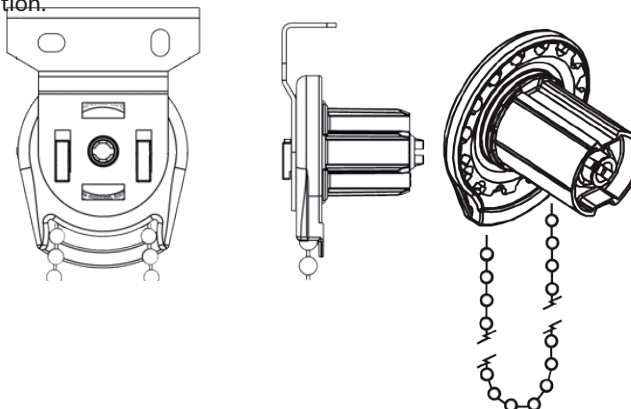
HOW IT WORKS

A clutch utilises a wrap spring which can either be tightened or loosened on an inner core. Push on one side of the spring tang and the spring diameter decreases locking the clutch and prevents any movement. Push the tang on the other side and the spring opens, allowing free movement. The clutch is divided into two separate interior, interlocking cores, the first of which is on the outside (blind tube housing) where the roller blind tube is attached (fabric is rolled onto the tube). The inner core is attached to the cord guard. Both cores have cams which are arranged to push on a particular side of the spring tang. With **Velvetrol**™, this core is open on two opposing sides. **Velvetrol**™ enables the spring tangs to apply a balanced force on both sides at the same time allowing a more smooth and even distribution of forces.



The pulley has a cam on both sides which is positioned in such a way that when the pulley is moved in either direction (by pulling on the bead chain) it pushes against the spring tang opening the spring's diameter and allowing the blind to move up and down. Release the bead chain and the spring automatically returns to its original, closed shape, locking the blind in position.

The blind tube housing has a cam positioned so that the force of the hanging blind pushes on the side of the spring tang locking it to the inner core. The weight of the blind helps keep the blind locked. The more weight on the blind, the tighter the spring locks. The **RollEase**® patented, balanced core **Velvetrol**™ multi-spring configuration distributes the interior forces evenly over the inner core and offers the industry's smoothest pull. The ratio between the bead chain pulley and the blind tube provides a mechanical advantage, allowing the pull forces to raise a blind to be less than the actual weight of the blind.



SPECIFICATIONS

Pin End

The RollEase® Skyline spring loaded pin-end and the Skyline 50mm – 63mm heavy-duty spring loaded pin-end, allows for easier installation of the blind into the bracket. The spring loaded pin maintains a constant tension on the blind assembly within the bracket preventing the blind from rolling out of the brackets and reducing drag on the drive system. The pin-end consists of an outer stationary housing and is made of glass reinforced nylon. The bearing surface is a spring loaded pin end engaged into the centre of the housing, made of proprietary General Electric Plastics lubricated PF30 material. The bearing surface provides smooth wear resistance operation. Colours available: White, Black.



Skyline Standard Pin End



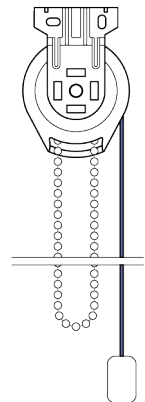
Skyline Heavy Duty Pin End

Control Chain

The control chain for the RollEase® clutch system is supplied with three chain type options:

1. Plastic beaded chain with polyester cord,
2. Nickel plated steel chain,
3. Stainless Steel chain.

We recommend the plastic beaded chain with polyester cord because it is stronger, contains no risk of corrosion and runs more quietly when the blind is raised and lowered. The plastic beaded chains are thermally fused 0.175" Dia. plastic bead onto a heavy duty 0.065" Dia. continuous nylon cord. Colours available: White, Black.



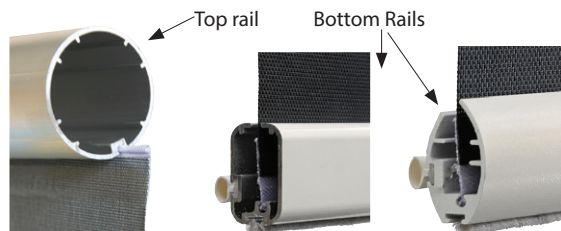
Geared Controller (for blinds 5m² up to 12m²)

The Galaxy G200 & G400 geared controllers provide easier raising and lowering compared to the standard non-geared SL15 and SL20 controllers. Both geared controllers are suitable for residential and commercial applications. The G200 is used on 50mm tubes and the G400 is only used for very large blinds with a 63mm tube. The G200 & G400 geared controllers feature advanced geared patented technology known as Velvetrol and are designed with sleek rounded chain guard profiles.



Fabric Fastening

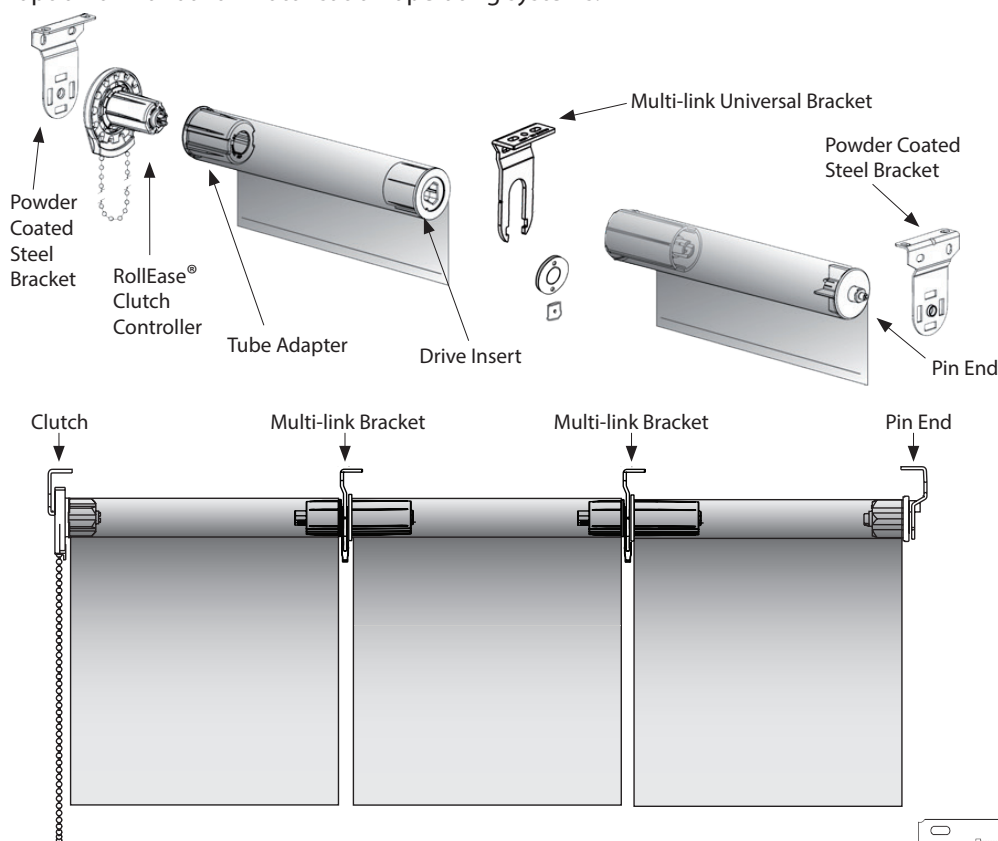
Window Treatments has developed a unique welding system for attaching the fabric of a roller blind to the roller tube and bottom rail. The new and exclusive **Fabric Fastening** system uses a high impulse electric welding machine to weld the spline onto the fabric which is then guided into the rails through a specially formed groove.



Hardware - Options

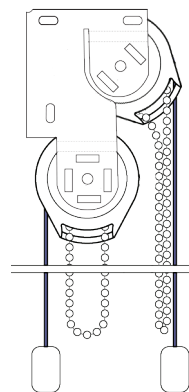
Multi-Link Blinds

RollEase® has developed a superior multi-link system, allowing multi-link blinds for wide or multi panel glazing without compromising operation. The multiple-link system allows for adjustments in the roller blind height from one linked roller blind to the other. Up to three roller blinds can be linked together with an option of manual or motorisation operating systems.



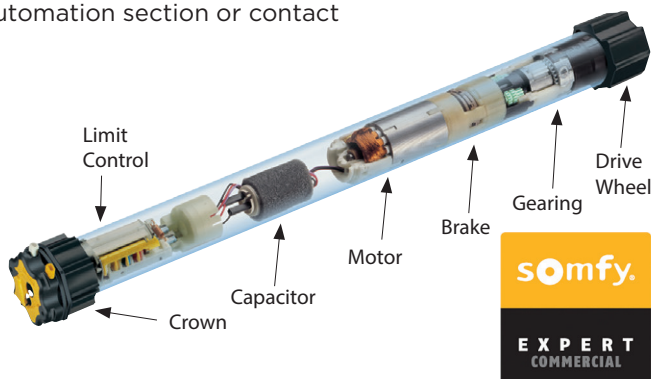
Double Roller

A double roller system has been developed for customers who require both a transparent solar screen fabric and a block-out fabric on the same window. A double roller can also be used when multiple-link blinds are required. Control operations can either be manual or motorised.



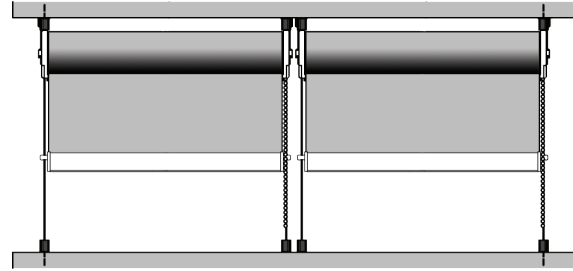
Motorisation

Window Treatments uses motors and control systems by French company Somfy® (Hard wire motors) and also Rollease Acmeda® (Automate Wirefree and Hard wire motors), both of whom are considered world leaders in automated systems and blind hardware. For further information refer to our Automation section or contact motorisation@window-treatments.co.nz

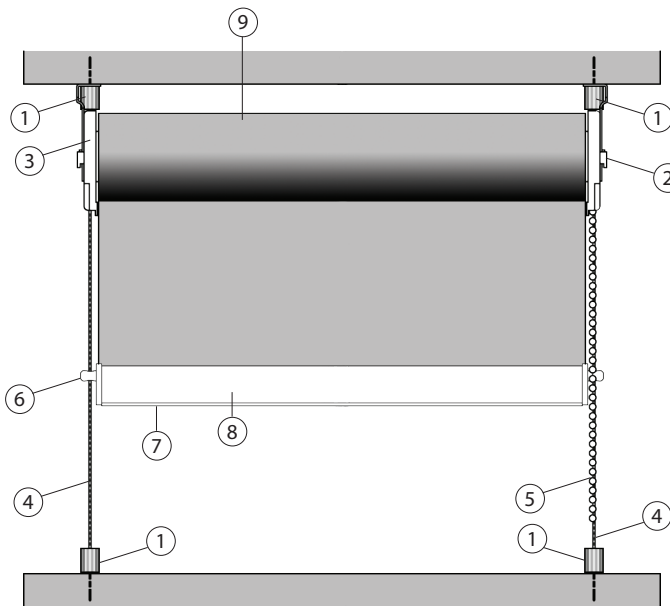


Roller Blind Wire Guide

The Roller Blind Wire Guide is designed for perpendicular opening windows with a maximum of 15 degrees incline from vertical and for blinds with drops exceeding 3500mm. The side wires provide stability and control of the blind when lowered or raised and can be fitted to both single and double Roller blinds. Note: wire guides are not designed for wind loading



- Suitable for perpendicular windows with a maximum of 15 degrees incline from vertical.
- Suitable for Single and Double Roller blinds.
- Wire is stainless steel 1.5mm (7x7 ASIS T316) which passes through stainless steel eye bolts connected to the bottom rail.
- The wire is fastened by stainless steel top and bottom wire connectors.
- Bottom rails are either elliptical or rectangular. Both bottom rails have a Soft Touch feature.
- Bottom rails are available in White, Ivory, Chinchilla, Silver Pearl, Bronze, Anthracite, Black or Anodised with Polypropylene end caps in: Black, White.



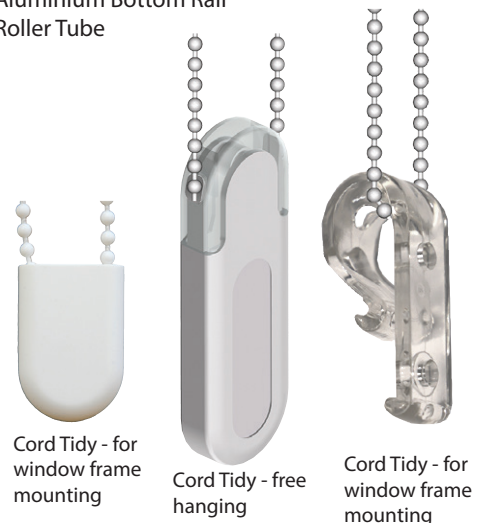
Key Numbers

1. Stainless Steel Top and Bottom Wire Connector
2. Powder Coated Steel Bracket
3. Bracket Cover Plate
4. Stainless Wire 1.5mm (7x7 ASIS T316)
5. Control Chain
6. Stainless Steel Eye Bolts
7. Soft Touch (optional, Grey colour only)
8. Aluminium Bottom Rail
9. Roller Tube

Cord Tidy

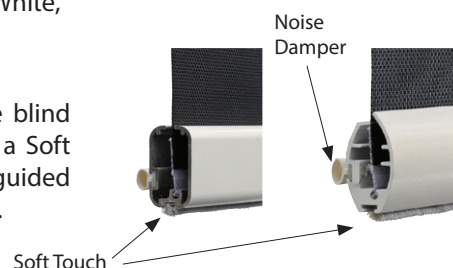
The chain tensioning devices (Cord Tidy) are designed to hold beaded plastic or nickel plated steel ball chain. There are two types of Cord Tidy: one for mounting to the window frame and one for free hanging. The tensioning devices provide easy pull and when they are fixed to the window frame it also reduces the risk of injury, particularly for children.

Colours available for wall/window frame mounting device: White, Black. Colours available for free hanging device: Light Grey, White, and Black.

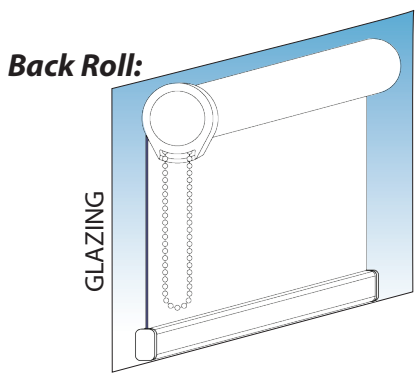


Soft Touch & Noise Damper

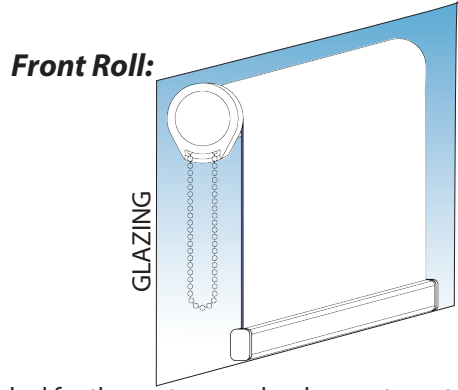
To minimise noise level and draughts when lowering the blind onto the window sill, Window Treatments has developed a Soft Touch system and also a noise Damper system which are guided into the bottom rails through two specially formed grooves.



Hardware - Front & Back Roll Combinations

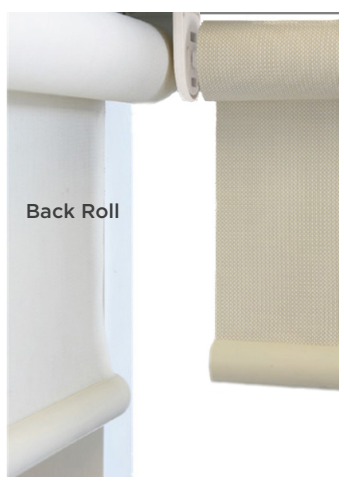


This is the most popular way of having the fabric hang off a roller blind tube. It keeps the fabric close to the window glass, allows easy access to the chain control and also keeps the fabric close to the wall when Face Fix mounting the blinds.

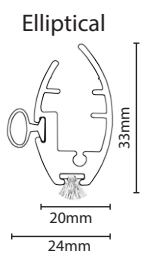


Ideal for the customer who does not want to see the roll at the top of their window. The fabric comes over the front of the roller blind tube so the tube is hidden from view. A front roll also provides more clearance from any obstructions such as window catches and handles. However access to the chain control is more limited and care needs to be taken when raising or lowering the blinds to avoid damage to the fabric edge.

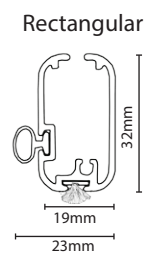
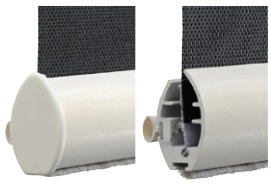
Roll Direction



Bottom Rail Options



Elliptical Bottom Rail
 - with end cap 33mm x 20mm
 - without end cap 30mm x 16mm



Rectangular Bottom Rail
 - with end cap 32mm x 19mm
 - without end cap 29mm x 16mm



SPECIFICATIONS

Hardware - Single Roller Options

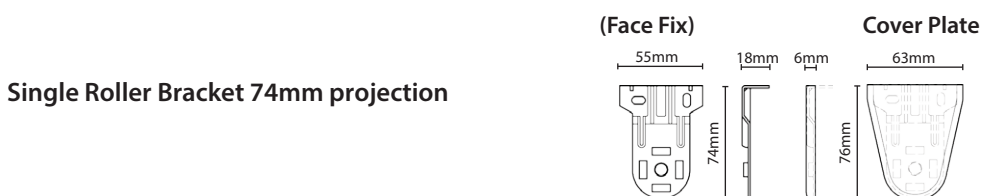
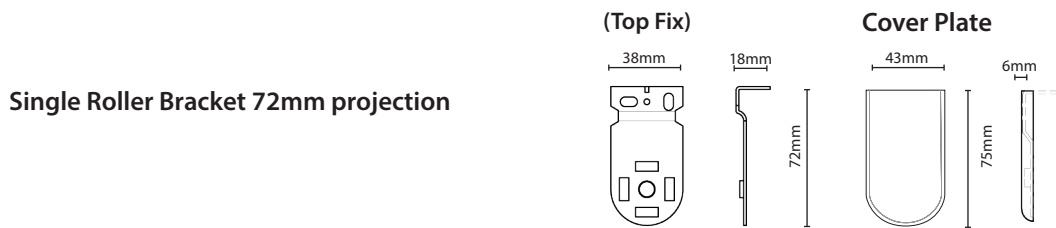
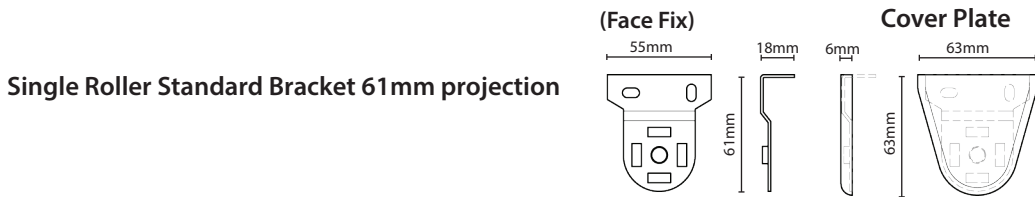
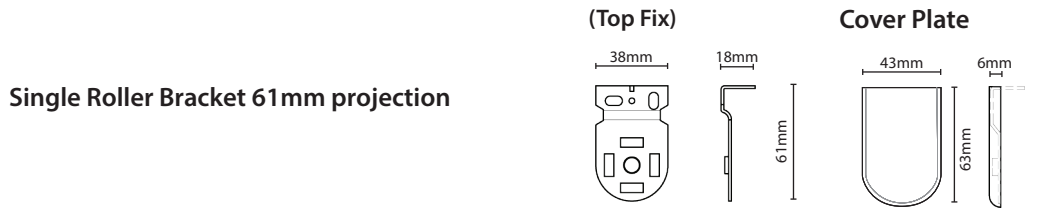
Single Roller Brackets

Single Roller Brackets are ideal for most window frames as there is no need for a right and left style bracket. They are suitable for both Top Fix and Face Fix installations. Matching Cover Plates come standard for Face Fix installations. Colours available: White, Black.

Bracket Cover Plates

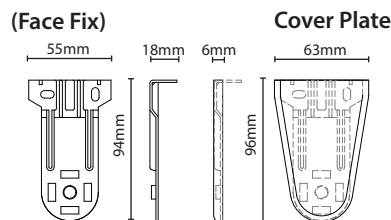
Bracket Cover Plates are standard for: Single Roller Face Fix, and Standard Double Roller Face Fix. Colours available: White, Black.

Please Note: The actual projection of the roller blind (tube & fabric) is variable depending on the drop of the window.

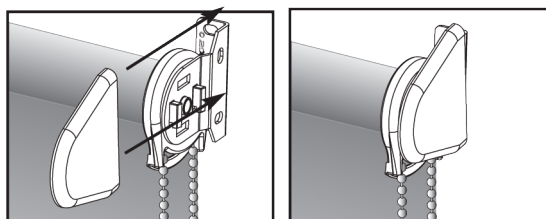


Hardware - Single Roller Options

Single Roller Bracket 94mm projection



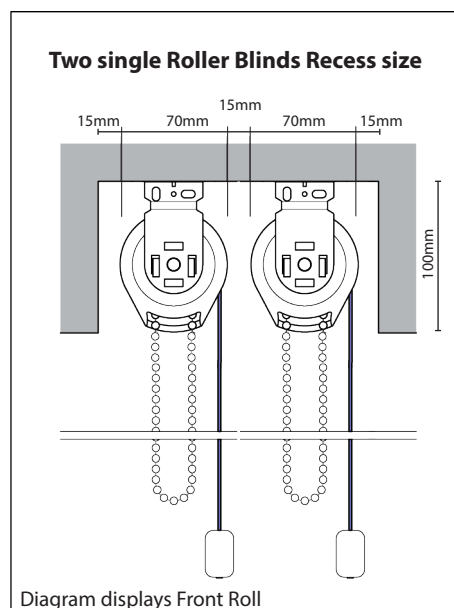
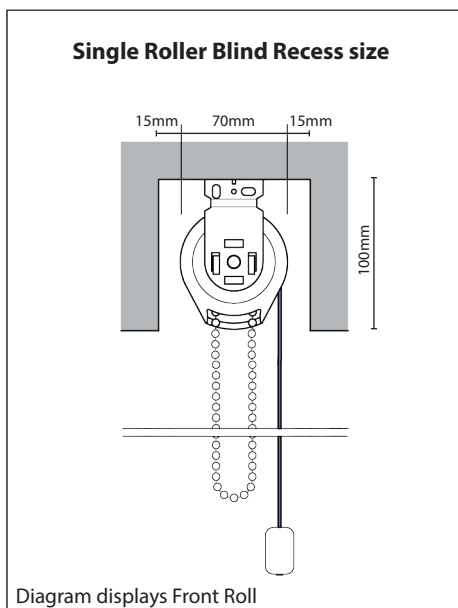
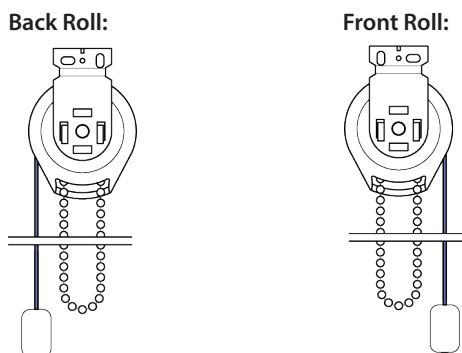
Bracket covers slide over the bracket until snapped into position.



Bracket Specification

Brackets are constructed of 0.06 inch thick nickel-plated, C1080/1010 cold rolled steel. The brackets are universal for example working on the clutch or pin end. Colours available: White, Black.

Single Roller Universal Bracket for 50mm tube



Automation for Recess Blinds

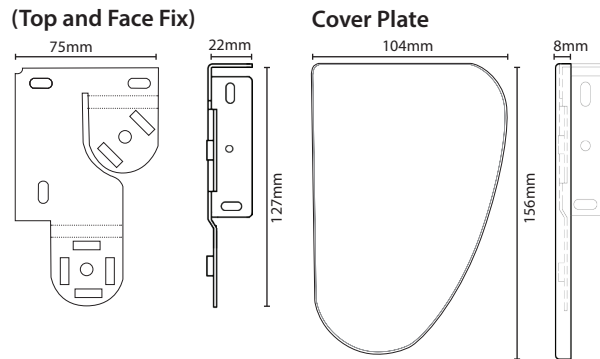
Window Treatments NZ recommends RTS control when blinds are to be installed inside a recess.

Hardware - Double Roller Options

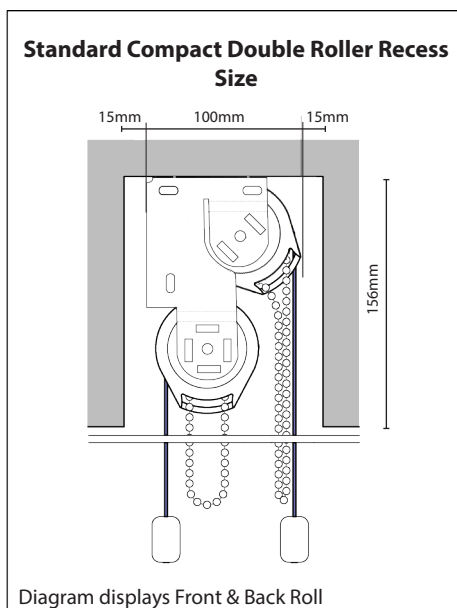
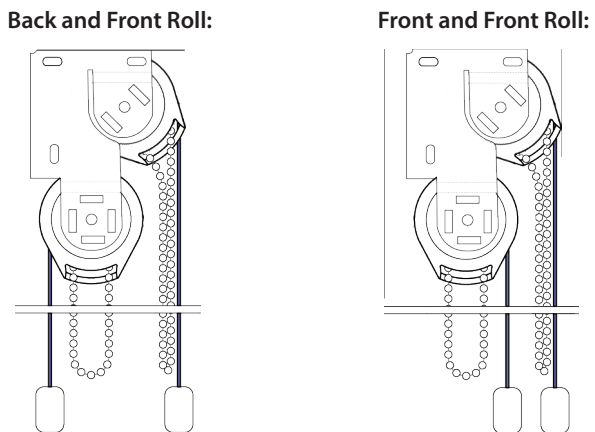
Standard Compact Double Roller Bracket

Standard Compact Double Roller Brackets are narrow and reliable. Available for right and left mounts, they are great for narrow window frames and offer greater flexibility when mounting two roller blinds in one opening, creating room darkening and ambient light control. Our standard Double Roller Bracket can mounted in either Top Fix or Face fix applications. Colours available are: White, Black.

Standard Compact Double Roller Standard Bracket
127mm projection



Standard Compact Double Roller Standard Bracket
127mm projection



Automation for Recess Blinds

Window Treatments NZ recommends RTS control when blinds are to be installed inside a recess.

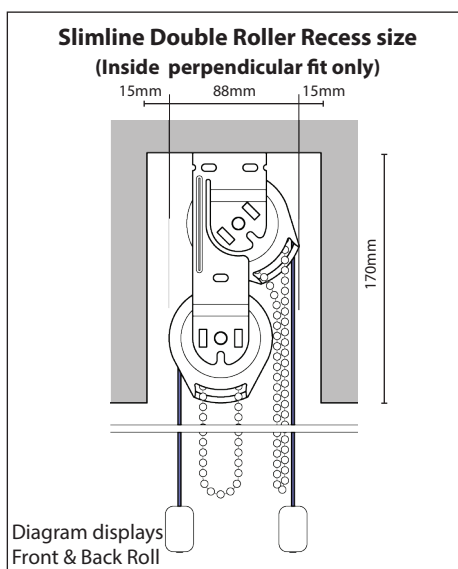
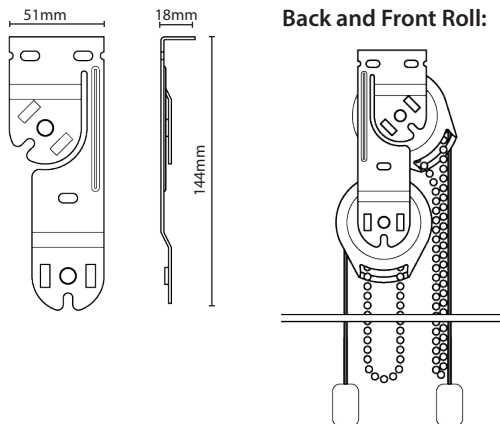
Hardware - Double Roller Options

Slimline Double Roller Bracket

Our Slimline Double Roller Brackets are Top Fix only and suited to an inside (perpendicular) fit. Colours available are: White, Black.

Slimline Double Roller Bracket
144mm perpendicular projection

(Top Fix, inside perpendicular fit only)



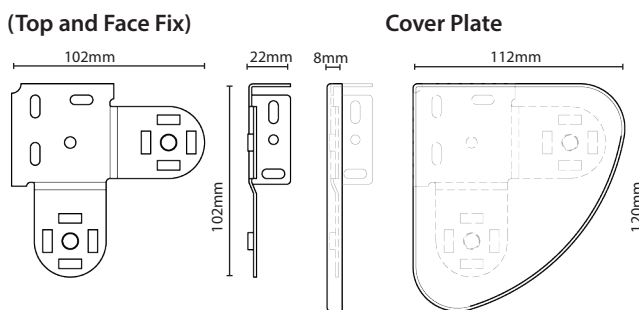
Automation for Recess Blinds

Window Treatments NZ recommends RTS control when blinds are to be installed inside a recess.

Double Roller Brackets

Double Roller Brackets offer greater flexibility when mounting two roller blinds in one opening to create room darkening and ambient light control. They are available in two sizes, 102mm and 122mm projection. Brackets can be mounted to the ceiling or wall and there is no need for a right and left style bracket. The use of Double Roller Brackets allows for proper alignment resulting in a better overall installation. When installation requires the double roller blind to be Face Fix, matching Cover Plates will come standard with this application. Colours available: White, Black.

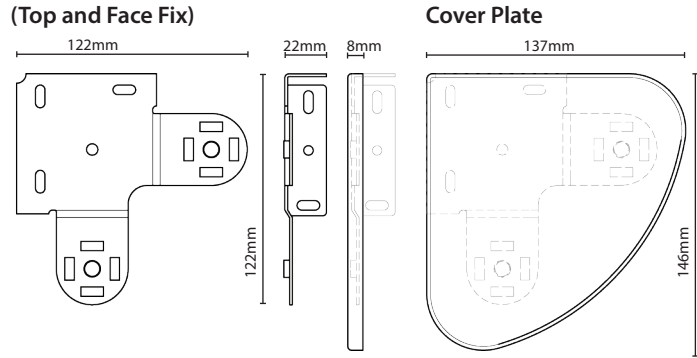
Double Roller Bracket 102mm



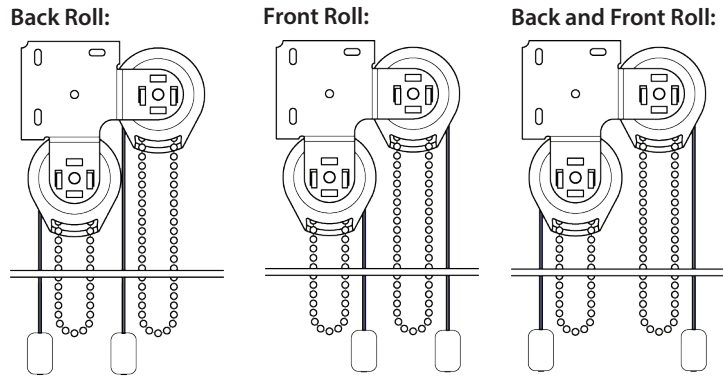
SPECIFICATIONS

Hardware - Double Roller Options

Double Roller Bracket 122mm projection

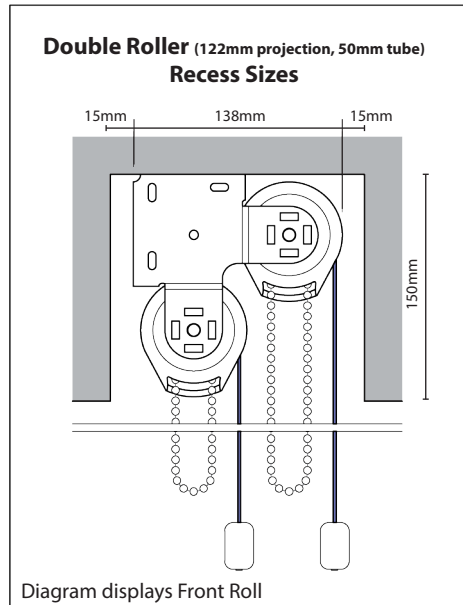


Double Roller Bracket



Automation for Recess Blinds

Window Treatments NZ recommends RTS control when blinds are to be installed inside a recess.



Hardware - Single Roller Options



Maximum Size Guidelines (based on 50mm tube size & subject to fabric choice)

Please Note : These measurements are guidelines only and Window Treatments can generally manufacture roller blinds outside these guidelines as required. For example if a blind has drop greater than 3500mm, we may use a RollEase's® Galaxy series clutch planetary gear system a greatly reduces the chain pull force needed to lift heavy or long drop blinds. We recommend blinds with drops exceeding 3500mm are installed with wire guides.

Key

Intermediate Bracket Allows blinds to operate independently 	Multi Blind Universal Bracket Allows up to 3 blinds to operate together 	Geared Clutch Allows blinds to be raised with less effort
---	---	---

Description	Controls	Control Options	
		Motorised Y/N	Manual Y/N
SINGLE CHAIN CONTROL ROLLER BLIND 	LEFT OR RIGHT	Y	Y

Description	Controls & Geared Clutch	Motorised Y/N	Manual Y/N
2 ROLLERS LINKED TOGETHER WITH A MULTI BLIND UNIVERSAL BRACKET & 1 GEARED CLUTCH 	LEFT OR RIGHT	Y	Y

Description	Controls	Motorised Y/N	Manual Y/N
2 ROLLERS LINKED TOGETHER WITH AN INTERMEDIATE BRACKET. ALLOWS FOR INDIVIDUAL CONTROL. 	LEFT OR RIGHT on either blind	Y	Y

SPECIFICATIONS

Hardware - Single Roller Options

Description	Controls & Geared Clutch	Control Options	
		Motorised Y/N	Manual Y/N
3 ROLLERS LINKED TOGETHER WITH 2 MULTI BLIND UNIVERSAL BRACKETS, 1 CONTROL & 1 GEARED CLUTCH. ALLOWS 3 BLINDS TO BE RAISED TOGETHER.	LEFT OR RIGHT	Y	Y

Description	Controls	Geared Clutch	Motorised Y/N	Manual Y/N
3 ROLLERS LINKED TOGETHER WITH 1 INTERMEDIATE BRACKET, 1 MULTI BLIND UNIVERSAL BRACKET, 1 GEARED CLUTCH & 2 CONTROLS. ALLOWS 2 BLINDS TO BE RAISED TOGETHER AND 1 INDEPENDENTLY.	LEFT OR RIGHT on either blind	RIGHT	Y	Y

Description	Controls	Geared Clutch	Motorised Y/N	Manual Y/N
3 ROLLERS LINKED TOGETHER WITH 1 INTERMEDIATE BRACKET, 1 MULTI BLIND UNIVERSAL BRACKET, 1 GEARED CLUTCH & 2 CONTROLS. ALLOWS 2 BLINDS TO BE RAISED TOGETHER AND 1 INDEPENDENTLY.	LEFT OR RIGHT on either blind	LEFT	Y	Y

Description	Controls	Geared Clutch	Motorised Y/N	Manual Y/N
4 ROLLERS LINKED TOGETHER WITH 2 GEARED CLUTCH, 2 MULTI BLIND UNIVERSAL BRACKETS, 1 INTERMEDIATE BRACKET. ALLOWS 2 SETS OF 2 BLINDS TO BE RAISED INDEPENDENTLY.	LEFT AND RIGHT on either blind	LEFT OR RIGHT	Y	Y




Note:


A Geared clutch is not required on Roller Blinds when motorisation has been selected.


Hardware - Double Roller Options

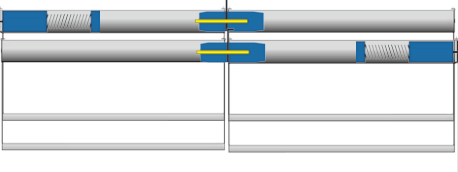


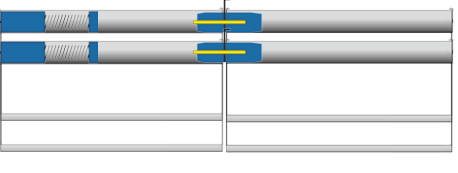
Key

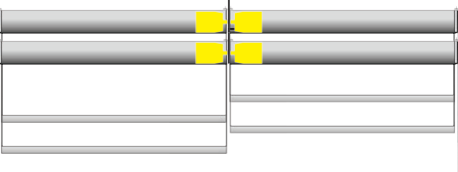
Intermediate Bracket Allows blinds to operate independently 	Multi Blind Universal Bracket Allows up to 3 blinds to operate together 	Geared Clutch Allows blinds to be raised with less effort 
--	--	---

Description	Controls	Control Options	
		Motorised Y/N	Manual Y/N
DOUBLE ROLLER BLINDS WITH CONTROLS AT OPPOSITE ENDS. 	LEFT AND RIGHT	Y	Y

Description	Controls	Motorised Y/N	Manual Y/N
DOUBLE ROLLER BLINDS WITH CONTROLS AT SAME END. 	LEFT OR RIGHT	Y	Y

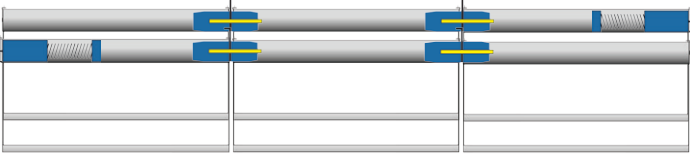
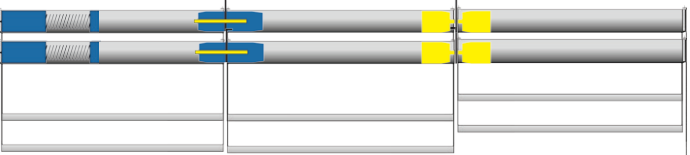
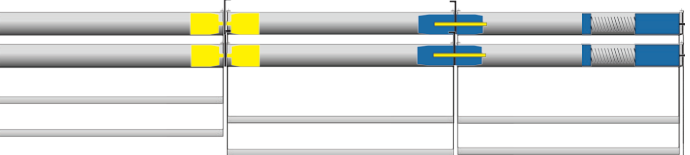
Description	Controls & Geared Clutch	Motorised Y/N	Manual Y/N
2 DOUBLE ROLLER BLINDS LINKED TOGETHER WITH A DOUBLE MULTI BLIND UNIVERSAL BRACKET & 2 GEARED CLUTCH. CONTROLS AT OPPOSITE ENDS WITH AS GEARED CLUTCH. 	LEFT AND RIGHT	Y	Y

Description	Controls & Geared Clutch	Motorised Y/N	Manual Y/N
2 DOUBLE ROLLER BLINDS LINKED TOGETHER WITH A DOUBLE MULTI BLIND UNIVERSAL BRACKET & 2 GEARED CLUTCH. CONTROLS AT SAME END AS GEARED CLUTCH. 	LEFT OR RIGHT	Y	Y

Description	Controls	Motorised Y/N	Manual Y/N
2 DOUBLE ROLLER BLINDS LINKED TOGETHER WITH A DOUBLE INTERMEDIATE BRACKET, 2 CONTROLS AT EACH END. ALLOWS INDEPENDENT CONTROL OF EACH BLIND. 	LEFT AND RIGHT on either blind	Y	Y

SPECIFICATIONS

Hardware - Double Roller Options

Description	Controls & Geared Clutch	Control Options		
		Motorised Y/N	Manual Y/N	
<p>3 DOUBLE ROLLER BLINDS LINKED TOGETHER WITH 2 DOUBLE MULTI BLIND UNIVERSAL BRACKETS & 2 GEARED CLUTCH. CONTROLS AT OPPOSITE ENDS WITH GEARED CLUTCH. ALLOWS 3 BLINDS TO BE RAISED TOGETHER.</p> 	LEFT AND RIGHT	Y	Y	
<p>3 DOUBLE ROLLER BLINDS LINKED TOGETHER WITH 2 DOUBLE MULTI BLIND UNIVERSAL BRACKETS & 2 GEARED CLUTCH. CONTROLS AT SAME END WITH GEARED CLUTCH. ALLOWS 3 BLINDS TO BE RAISED TOGETHER.</p> 	LEFT OR RIGHT	Y	Y	
<p>3 DOUBLE ROLLER BLINDS LINKED TOGETHER WITH 1 INTERMEDIATE BRACKET, 1 MULTI BLIND UNIVERSAL BRACKET, 2 GEARED CLUTCH & 2 CONTROLS. ALLOWS 2 DOUBLE BLINDS TO OPERATE TOGETHER AND 1 INDEPENDENTLY.</p> 	LEFT OR RIGHT on either blind	LEFT	Y	Y
<p>3 DOUBLE ROLLER BLINDS LINKED TOGETHER WITH 1 INTERMEDIATE BRACKET, 1 MULTI BLIND UNIVERSAL BRACKET, 2 GEARED CLUTCH & 2 CONTROLS. ALLOWS 2 DOUBLE BLINDS TO OPERATE TOGETHER AND 1 INDEPENDENTLY.</p> 	LEFT OR RIGHT on either blind	RIGHT	Y	Y

Note:




A Geared Clutch is not required on Roller Blinds when motorisation has been selected.


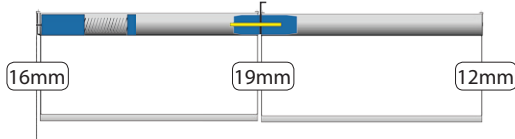
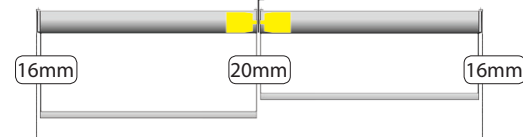



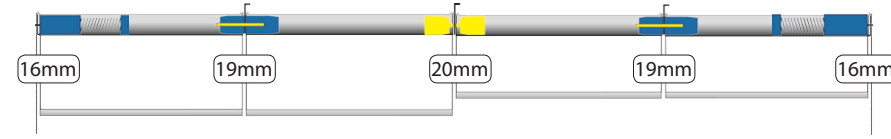
Light Gaps - Manual Operation with 50mm Tube

(with or without fascia system)



Key

Intermediate Bracket Allows blinds to operate independently 	Multi Blind Universal Bracket Allows up to 3 blinds to operate together 	Geared Clutch Allows blinds to be raised with less effort 
--	--	---

Description	Controls	Spring Assist
SINGLE CHAIN CONTROL ROLLER BLIND 	LEFT OR RIGHT	
2 ROLLERS LINKED TOGETHER WITH A MULTI BLIND UNIVERSAL BRACKET & 1 GEARED CLUTCH. 	LEFT OR RIGHT	
2 ROLLERS LINKED TOGETHER WITH AN INTERMEDIATE BRACKET. ALLOWS FOR INDIVIDUAL CONTROL. 	LEFT OR RIGHT on either blind	
3 ROLLERS LINKED TOGETHER WITH 2 MULTI BLIND UNIVERSAL BRACKETS, 1 CONTROL & 1 GEARED CLUTCH. ALLOWS 3 BLINDS TO BE RAISED TOGETHER. 	LEFT OR RIGHT	LEFT OR RIGHT
3 ROLLERS LINKED TOGETHER WITH 1 INTERMEDIATE BRACKET, 1 MULTI BLIND UNIVERSAL BRACKET, 1 GEARED CLUTCH & 2 CONTROLS. ALLOWS 2 BLINDS TO BE RAISED TOGETHER AND 1 INDEPENDENTLY. 	LEFT OR RIGHT on either blind	RIGHT
3 ROLLERS LINKED TOGETHER WITH 1 INTERMEDIATE BRACKET, 1 MULTI BLIND UNIVERSAL BRACKET, 1 GEARED CLUTCH & 2 CONTROLS. ALLOWS 2 BLINDS TO BE RAISED TOGETHER AND 1 INDEPENDENTLY. 	LEFT OR RIGHT on either blind	LEFT
4 ROLLERS LINKED TOGETHER WITH 2 GEARED CLUTCH, 2 MULTI BLIND UNIVERSAL BRACKETS, 1 INTERMEDIATE BRACKET. ALLOWS 2 SETS OF 2 BLINDS TO BE RAISED INDEPENDENTLY. 	LEFT AND RIGHT on either blind	LEFT OR RIGHT

Please Note: The light gap measurements are nominal based on 50mm tube.



SPECIFICATIONS


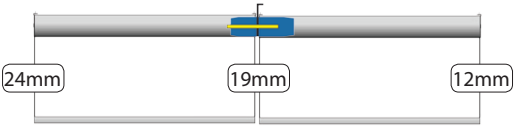
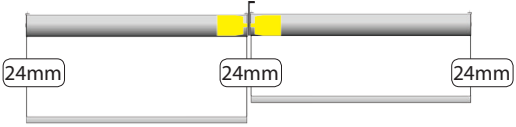



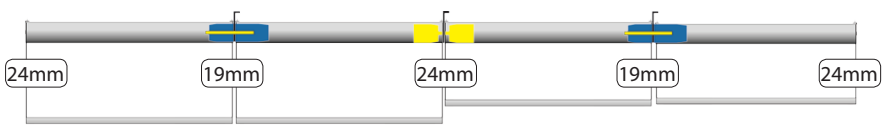
Sec. : Roller
 Date : Apr 2024
 Page: 15

Light Gaps - Motorised with 50mm Tube

(battery/240v wired)
(with or without fascia system)

Key

<p>Intermediate Bracket Allows blinds to operate independently</p> 	<p>Multi Blind Universal Bracket Allows up to 3 blinds to operate together</p> 
---	---

Description
<p>SINGLE ROLLER BLIND (1 motor required)</p> 
<p>2 ROLLERS LINKED TOGETHER WITH A MULTI BLIND UNIVERSAL BRACKET (1 motor required).</p> 
<p>2 ROLLERS LINKED TOGETHER WITH AN INTERMEDIATE BRACKET. ALLOWS FOR INDIVIDUAL CONTROL (2 motors required).</p> 
<p>3 ROLLERS LINKED TOGETHER WITH 2 MULTI BLIND UNIVERSAL BRACKETS. ALLOWS 3 BLINDS TO BE RAISED TOGETHER (1 motor required).</p> 
<p>3 ROLLERS LINKED TOGETHER WITH 1 INTERMEDIATE BRACKET, 1 MULTI BLIND UNIVERSAL BRACKET. ALLOWS 2 BLINDS TO BE RAISED TOGETHER AND 1 INDEPENDENTLY (2 motors required).</p> 
<p>3 ROLLERS LINKED TOGETHER WITH 1 INTERMEDIATE BRACKET, 1 MULTI BLIND UNIVERSAL BRACKET. ALLOWS 2 BLINDS TO BE RAISED TOGETHER AND 1 INDEPENDENTLY (2 motors required).</p> 
<p>4 ROLLERS LINKED TOGETHER WITH 2 MULTI BLIND UNIVERSAL BRACKETS, 1 INTERMEDIATE BRACKET. ALLOWS 2 SETS OF 2 BLINDS TO BE RAISED INDEPENDENTLY (2 motors required).</p> 

Please Note: The light gap measurements are nominal based on our 50mm tube.

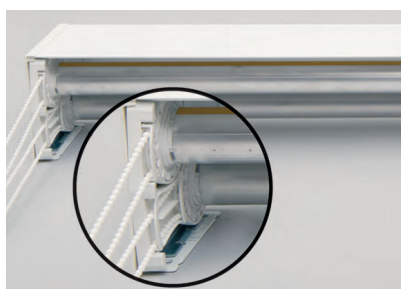
Fascia System

Fascia System

The roller blind head-rail is available with a square no-notch Fascia for improved appearance and reduction in light gaps. The sleek design provides the most versatile technology available. Its durable elegance offers robust hardware with clean aesthetics and accommodates Single or Double Roller blinds. Square or Double Fascia systems accommodate manual or motorised options.



Double Roller Blind Fascia

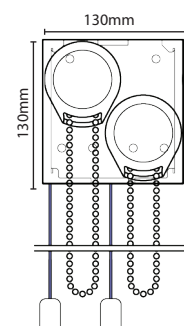
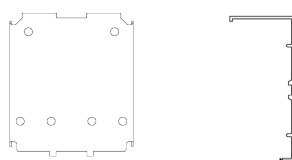
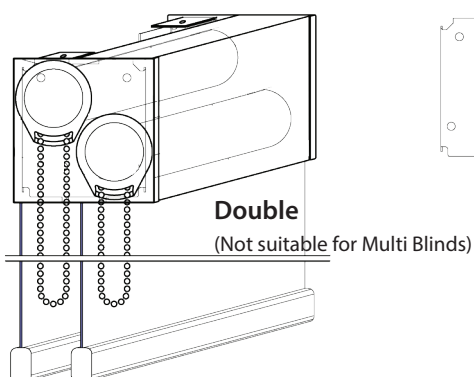
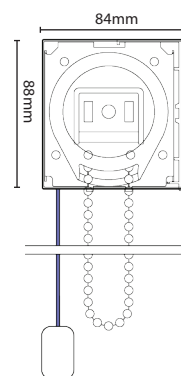
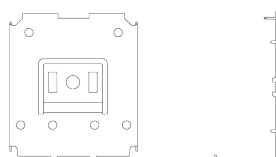
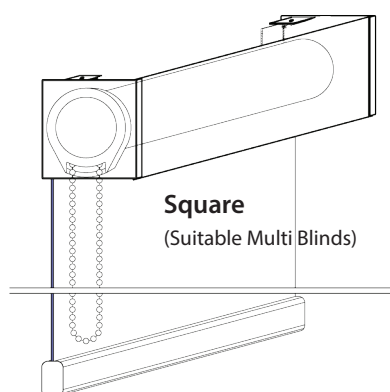


Single Square Fascia

Fascia Specification

Fascias are made of extruded aluminium (alloy/hardness 6063/T5) up to 4700mm long, with an average thickness of 1.5mm for flat profile and 1.75mm for round profile. Fascia Panels are finished with an electrostatically applied, baked on powder coating or clear natural anodised finish. The maximum overall width of a fascia system blind/s is 4700mm.

* Single fascia - fabric to be back rolled only.





Introduction to Fabric

SPECIFICATIONS

Introduction to Fabric

Fabric Overview:

The Window Treatments range of roller blind fabrics offers endless opportunities when used in commercial or domestic internal applications. We have various fabrics which comprise of intelligent energy saving screen fabrics, ecologically friendly, fire retardant, PVC free, mould and mildew resistant, light filtering to block-out fabrics.

Sunscreen:

Sunscreen fabrics can achieve significant reductions in the demand for air conditioning, reducing electricity consumption and greenhouse gas emissions. The Techno Screen range is very cost effective and works well in both commercial and domestic situations. Techno Screen is dimensionally stable and comes in a wide range of colours in 5%, 3% and 1% openness. PVC free Alu-Tech S2 (metalized backing) fabric is mostly used in commercial settings where a higher performance level is required in terms of heat, glare and fire retardancy. Alu-Tech S2 fabric is an independently certified "Cradle to Cradle Certified™ Bronze" by Cradle to Cradle Products Innovation Institute and is produced in Europe in a wide range of colours with most available ex our Christchurch factory and all fabrics are PVC free. The Cradle to Cradle Certified™ Material Health Assessment Methodology is a contextual assessment based on chemical hazard identification and qualitative exposure considerations during a product's final manufacture, use, and end-of-use.

Light-filtering Fabrics:

Our light-filtering fabrics provide more privacy than screen fabrics but still allow you to enjoy ambient light. The lighter the fabric colour the more ambient light you will achieve in the room. 100% polyester and acrylic coated, the Serengetti and Filtra ranges are also PVC Free.

Block-out Fabrics:

We carry an extensive range of block-out fabrics, some with a textured finish and others with foam or white flocked acrylic backing. These fabrics are ideally suited for computer rooms, offices, home theatre and bedrooms as they prevent glare and provide complete block-out when required. Most of our block-out fabrics are PVC free and all are resistant to mould and fungi, making block-out blinds ideal for installations in areas of high humidity and moisture.

Type/Name	Composition	Fire Retardant	Openness
SUNSCREEN			
Techno 2000 22	25% Polyester, 75% PVC	Yes	2%
Techno 5000 22	25% Polyester, 75% PVC	Yes	5%
Techno 10,000 22	25% Polyester, 75% PVC	Yes	10%
Alu-Tech S2	100% Polyester, (PVC Free)	Yes	3%
Enviroshade	100% Trevira-CS (PVC Free)	Yes	4-6%
Enviroshade Aluminium	100% Trevira-CS (PVC Free)	Yes	4-6%
LIGHT- FILTERING			
Serengetti	100% Polyester (PVC Free)	No	N/A
New Filtra	100% Polyester (PVC Free)	No	N/A
Jersey	100% Polyester (PVC Free)	No	N/A
Balmoral	100% Polyester (PVC Free)	Yes	3-5%
BLOCKOUT			
Serengetti	100% Polyester, (PVC Free)	No	N/A
Cardrona	100% Polyester, Acrylic Coated, PVC Free	No	N/A
Valencia	100% Polyester, Acrylic Coated, PVC Free	No	N/A
New Valencia	100% Polyester (PVC Free)	No	N/A
New Valencia FR	100% Polyester, Acrylic Coated, PVC Free	Yes	N/A
New Oxford	100% Polyester (PVC Free)	No	N/A
New Oxford Premium FR	100% Polyester (PVC Free)	Yes	N/A
Firenze	100% Polyester, Acrylic Coated, PVC Free	No	N/A
Balmoral	100% Polyester, PVC Free	No	N/A
Jersey	100% Polyester (PVC Free)	No	N/A
Gala	100% Polyester (PVC Free)	No	N/A
Waterfall	100% Polyester (PVC Free)	No	N/A

Somfy® Roller Blind Motorisation

- Wired

Window Treatments offers three wired motors capable of lifting up 19.6kg. Hardwired motors are always preferable, although Somfy battery blinds are available when hardwiring is not possible so it is important particularly for new builds that pre-wiring should be considered for any automation requirements.

Any blind on an 83mm tube requires an Altus 6/17 motor

Total Opening Width		50mm Tube									63mm Tube		83mm Tube		Multi-link Blinds Only						
		560	1000	1250	1500	1750	2000	2250	2500	2750	3000	3500	4000	4500	5000	5500	6000	6500	7000	7500	8000
Drop	1250																				
	1500																				
	1750																				
	2000																				
	2250																				
	2500																				
	2750																				
	3000																				
	3500																				

Key	Motor Type	Tube	Lifting Capacity
	Sonesse 3/30 Motor	50mm/63mm Tube	9.6kg
	Sonesse 6/20 Motor	50mm/63mm Tube	19.6kg
	Altus 6/17 Motor	83mm Tube	14.5kg

Minimum/Maximum Sizes

Window Treatments can produce a single motorised roller up to 5000mm wide with a 2250mm drop. As the width decreases, a larger drop is possible. Multi-link blinds can be produced up to 8000mm wide with a 4000mm drop, however we recommend blinds with drops exceeding 3500mm are installed with wire guides.

Performances	Sonesse 3/30	Sonesse 6/20	Altus 6/17
Torque	3nm	6nm	6nm
Nominal Voltage	230v	230v	230v
Rated Current	0.44	0.55	0.45
Rated Power	95W	120W	90W
Speed	30RPM	20RPM	17 RPM
Thermal Protection	4 Min	4 Min	4 Min
Radio Frequency	433.42	433.42	433.42
Sound Level (DB)	42	45	47
Cable Length	2500mm	2500mm	3000mm
IP Rating	IP 44	IP 44	IP 44
Insulation Class	II	II	I

Remote options

Hardwired and RTS (Radio Technology Somfy®) options are available. Hardwired; a maximum of five blinds or five groups of blinds can be controlled through a wall mounted remote. RTS allows for up to sixteen blinds or sixteen groups of blinds to be controlled wirelessly.



Situio 1 Remote



Situio 2 Remote



Situio 5 Remote



Telis 16 Channel



Telis 6 Chronis



Smoove Origin



Inis UNO



Inis DUO



Decoflex 5 Channel





Somfy® Roller Blind Motorisation

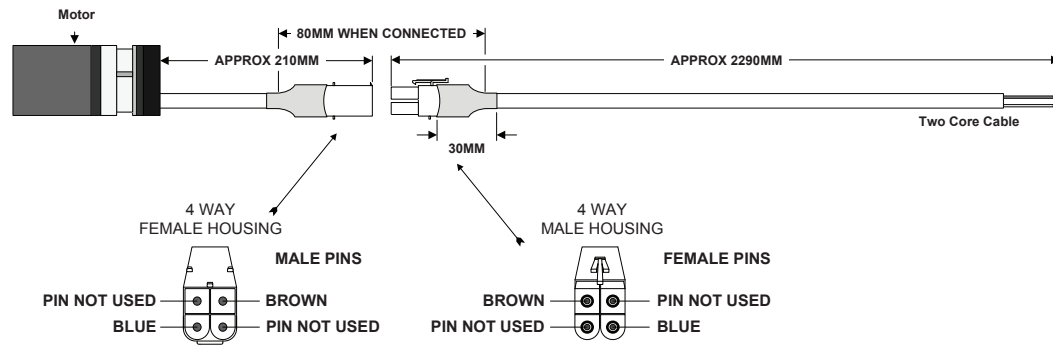
- Wiring - Inline Connector & Flush Connector Housing

SPECIFICATIONS

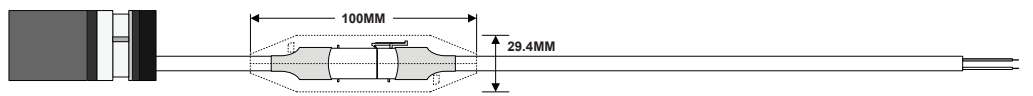
To provide power to Somfy's wired motors, Window Treatments uses an Inline Connector and when requested, conceals the Inline Connector inside a Flush Connector Housing. The RTS Inline Connector has a two core cable while the non-RTS Inline Connector has a three core cable. This allows rewiring from a Non-RTS control to a RTS control

Below are wiring diagrams for both options:

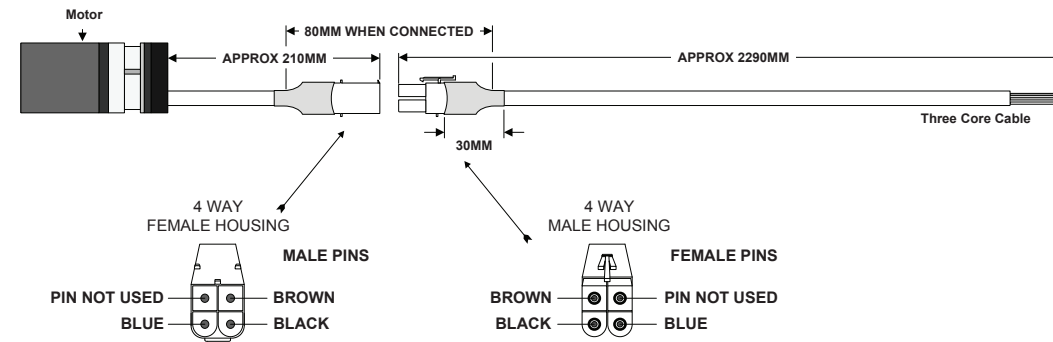
RTS Inline Connector (Two Core Cable)



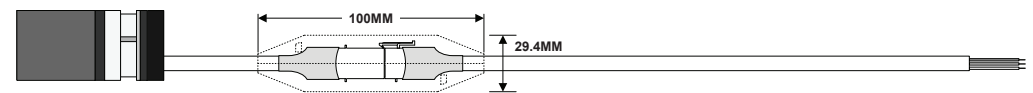
In-Line Connector and Housing Fitted



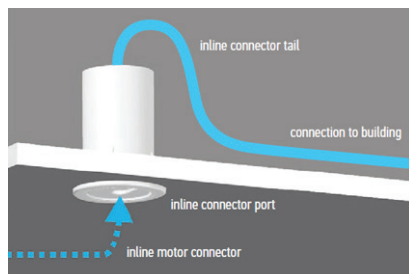
Non-RTS Inline Connector (Three Core Cable)



In-Line Connector and Housing Fitted



Flush Connector Housing

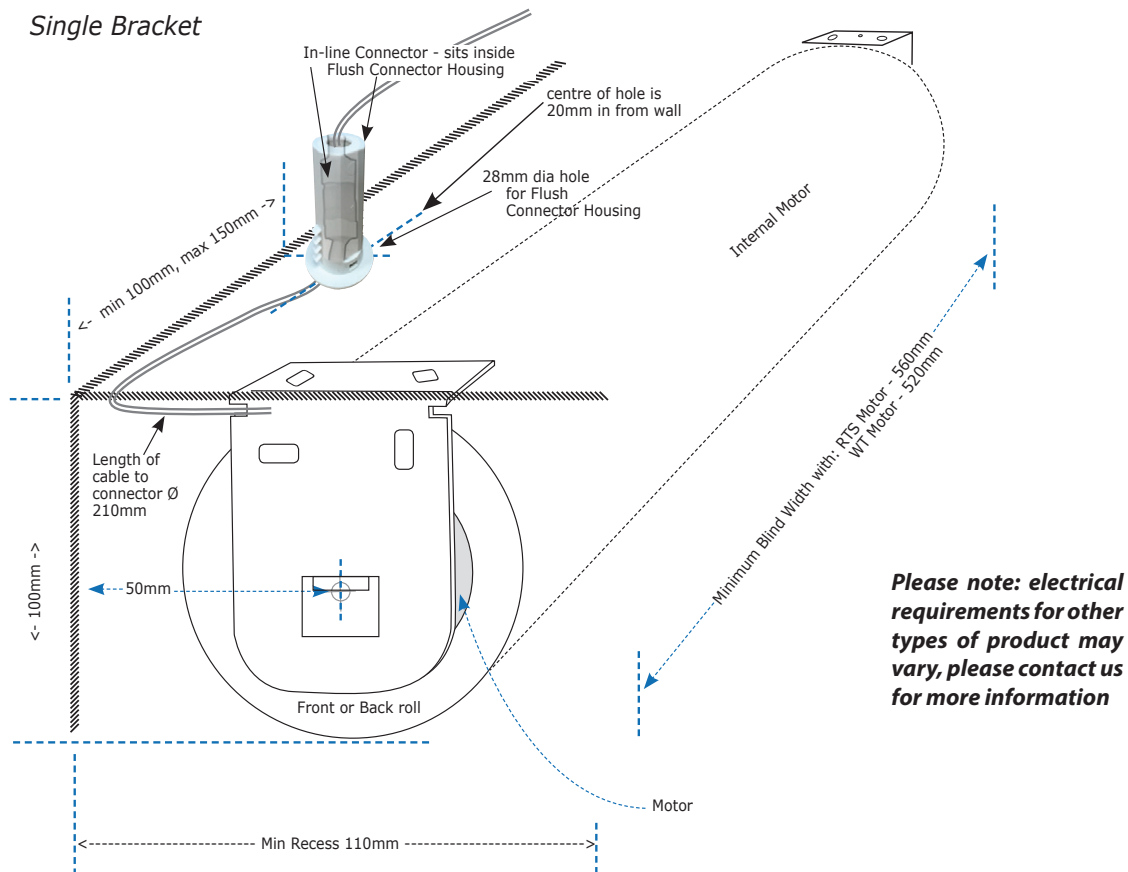


Technical Data	
Item Number	9026397
Item Description	Flush Connector Housing
Size	67 x 22 x 25mm
Colour	White
Patented Design	Au Pat 2018100721

Somfy® Roller Blind Motorisation

- Electrical requirements

Example of connection and recess sizing for a Single Motorised Roller Blind



Power supply and A connection - incorrect wiring systems:

<p>Parallel Wiring</p> <p>Do not wire Somfy® standard motors in parallel. Each motor requires its own switch or relays. If group control is required contact us for the required controller and wiring information.</p>	<p>!! Do not wire motors in parallel !!</p>
<p>Multiple Switching</p> <p>Do not wire one motor directly to more than one switch. If multiple switching is required contact us for the required controller and wiring information.</p>	



Somfy® Roller Blind Motorisation

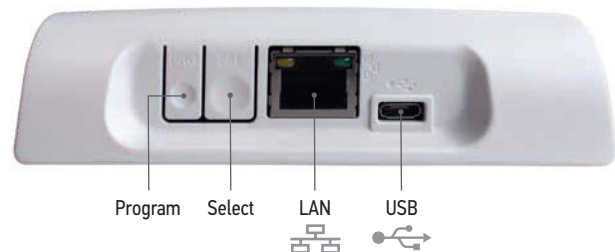
- CONNEXOON

The Somfy® *Connexoon* app allows control of your motorised blinds via your smartphone devices whether you are at home or away. Scheduled time control allows automatic operation to help with light and heat control throughout the day. Each Connexoon can connect up to four smart devices allowing control of up to 30 Individual or 30 groups of RTS products. IFTTT compatible allows the ability to control via third party voice assistants including Google Home and Amazon Alexa.

Somfy® myLink Technical Characteristics	
Operating temperature	0°C to 45°C
Protection Rating	IP 30
Radio Frequency	RTS: 433.42 MHz
Radio Hz Range	200metres in open field, 20 metres through 2 reinforced concrete walls
Dimensions (H x W x D mm)	110 x 71 x 24 (without plug)



App for Phone & Tablet



Please note: electrical requirements for other types of product may vary, please contact us for more information

It is important that your electrical professional is given the correct specifications and information at the wiring stage of construction therefore please arrange for your electrical professional to contact our Automation & Technician Specialist Acko Atkins with your project information.

Helpful information to have available when you ring or email is : Client name, your Window Treatments NZ Ltd Consultants name, product type and if possible the Window Treatments NZ Ltd Job Number.

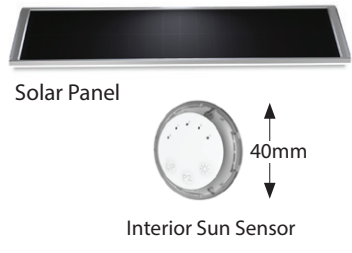
**Acko Atkins - Automation & Technician Specialist,
Window Treatments NZ Ltd, Head Office
218 Main South Road, Christchurch,
Postal Address: P O Box 6260, Upper Riccarton, Chch 8442
Ph (03) 343 6175 DDI,
Mobile 027 439 8287,
Fax (03) 343 0277
Email acko.atkins@window-treatments.co.nz**

SPECIFICATIONS

Rollease Acmeda - Roller Blind Motorisation



Window Treatments offers three wirefree and wired motors capable of lifting up to 9.6kg. The Li-ion Battery powered motors are great for hard to reach places, especially when equipped with a solar panel. With the blinds being raised and lowered once a day, battery power will last approximately 3 months depending on fabric weight. A charging cable is provided and must be connected to the motor for 6 hours to provide optimum charge (standard 4mtr length supplied, 0.22mtr, 1.22mtr and 2.44mtr extensions available as optional extras). Alternatively, a solar panel charger can be fitted in the window to keep the motor charged allowing two cycles per day (once up and once down).



Minimum/Maximum Sizes

Window Treatments can produce a battery powered motorised roller blind to any size shown on the table. If your window is larger than our maximum size, our wired motorization offers more lifting capacity. Note: the minimum size for a wirefree multilink roller blind is 750mm.

Min - Max Blind Width for Li-ion Battery Motors

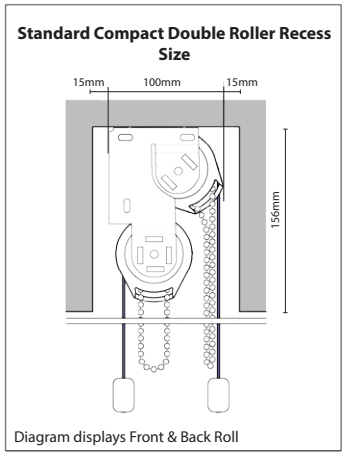
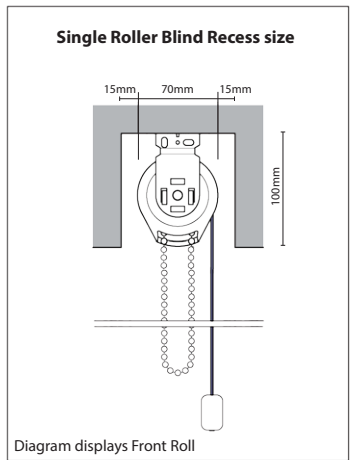
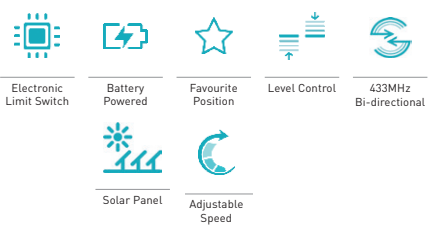
Drop	1 Blind 1 Motor 38/50mm Tube						1 Blind 1 Motor 50mm Tube				2 or 3 Blinds 1 Motor 50mm Tube						
	530	705	1000	1250	1500	1750	2000	2250	2500	2750	3000	3500	4000	4500	5000	5500	6000
1250																	
1500																	
1750																	
2000																	
2250																	
2500																	
2750																	
3000																	
3500																	

Key	Motor Type	Tube	Lifting Capacity
Yellow	1.1Nm Battery Motor	38mm/50mm Tube	3.6kg
Light Green	2.0Nm Battery Motor	50mm Tube	6.6kg
Dark Green	3.0Nm Battery Motor	50mm Tube	9.6kg
Black	6.0Nm Wired Motor	50mm Tube	24kg

Performances	Li-ion 1.1 Short Battery Motor	Li-ion 1.1 Battery Motor	Li-ion 2.0 Battery Motor	Li-ion 3.0 Battery Motor	Automate E6 Hardwired Motor	Automate M6 Hardwired Motor
Torque	1.1nm	1.1nm	2nm	3nm	6nm	6nm
Nominal Voltage	12v	12v	12v	12v	240v	240v
Rated Current (Amp)	0.96	0.96	1.25	0.83	0.85	0.85
Speed	20-24-28RPM	20-24-28RPM	20-24-28RPM	20-24-28RPM	33RPM	33RPM
Thermal Protection	12 Min	12 Min	12 Min	12 Min	4 Min	4 Min
Radio Frequency	433.92MHz	433.92MHz	433.92MHz	433.92MHz	433.92MHz	433.92MHz
Sound Level (DB)	46dB	46dB	46dB	53dB	44dB	44dB
IP Rating	IP 20	IP 20	IP20	IP 44	IP 44	IP 44
Insulation Class	III	III	III	III	III	III
Battery Size	1600mAH	2000mAH	2200mAH	5200mAH		

Compatibility Chart	Li-ion 1.1	Li-ion 2.0	Li-ion 3.0	Automate E6
Controller - Pulse	Y	Y	Y	Y
Controller - Paradigm	Y	Y	Y	Y
Sensor- Interior Sun Sensor	Y	Y	Y	Y
Sensor - Solar Wind & Light	-	-	-	-
Sensor Motion Sensor	-	-	-	-

Technologies



SPECIFICATIONS

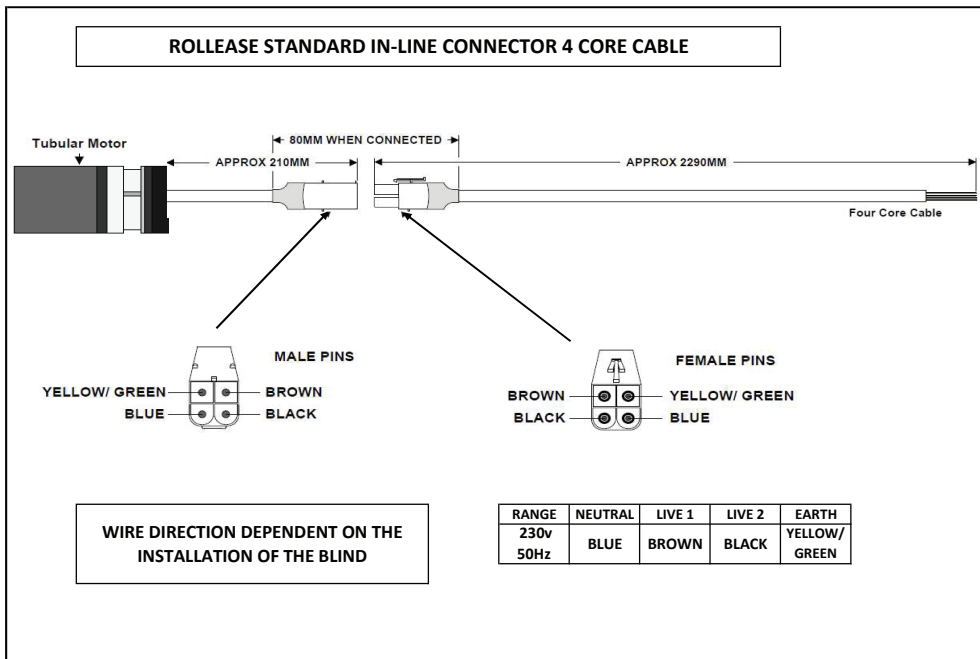
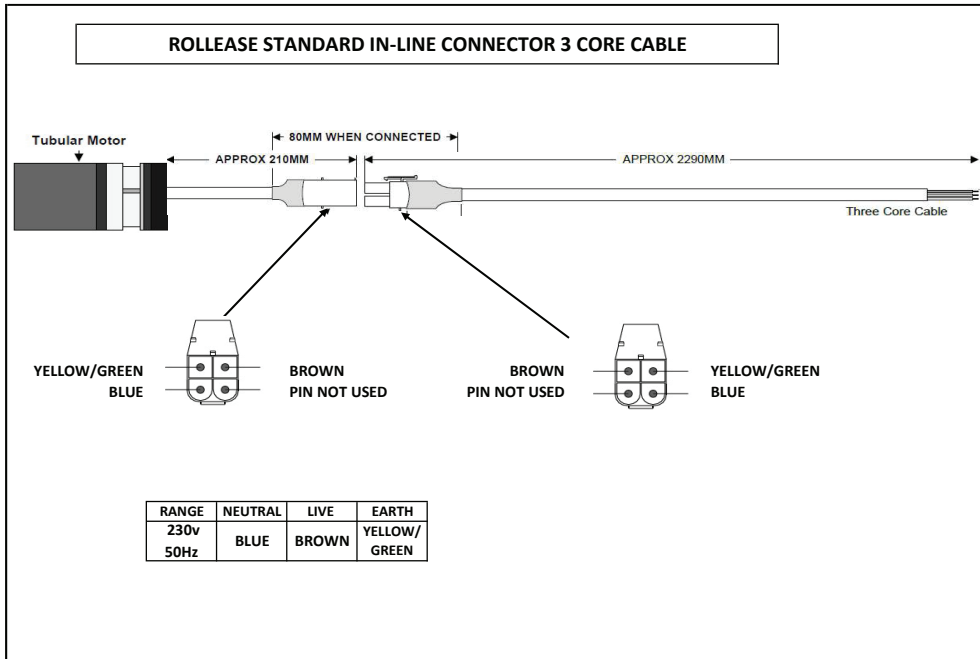
Sec. : Roller
Date : May 2021
Page: 23



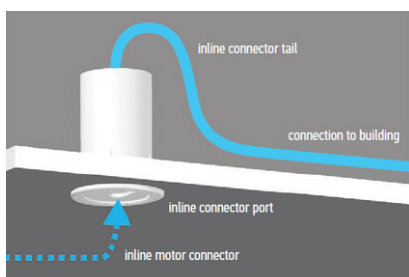
RollEase® Acmeda - Roller Blind Motorisation

SPECIFICATIONS

To provide power to RollEase wired motors, Window Treatments uses an Inline Connector and when requested, conceals the Inline Connector inside a Flush Connector Housing. The RTS Inline Connector has a three core cable while the non-RTS Inline Connector has a four core cable. This allows rewiring from a non-RTS control to a RTS control



Flush Connector Housing



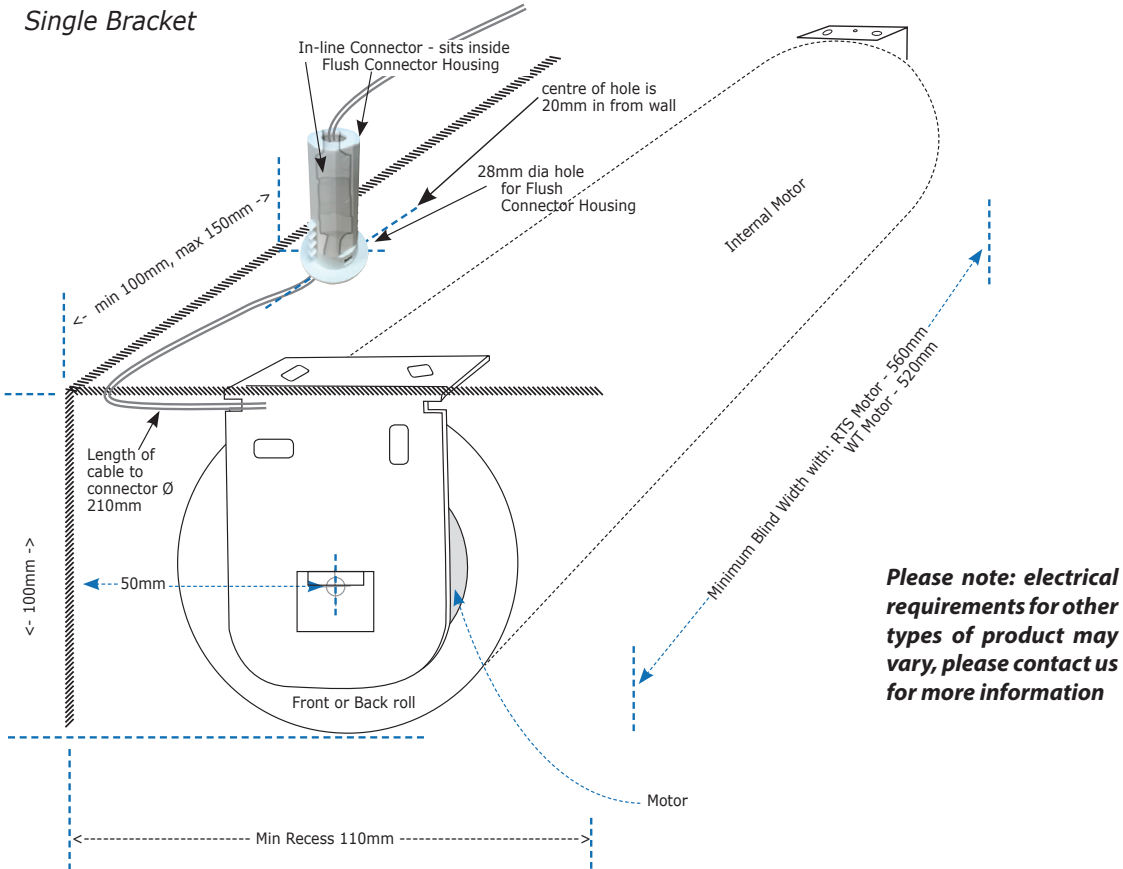
Technical Data	
Item Number	9026397
Item Description	Flush Connector Housing
Size	67 x 22 x 25mm
Colour	White
Patented Design	Au Pat 2018100721

RollEase® Acmeda - Roller Blind Motorisation

- Electrical requirements



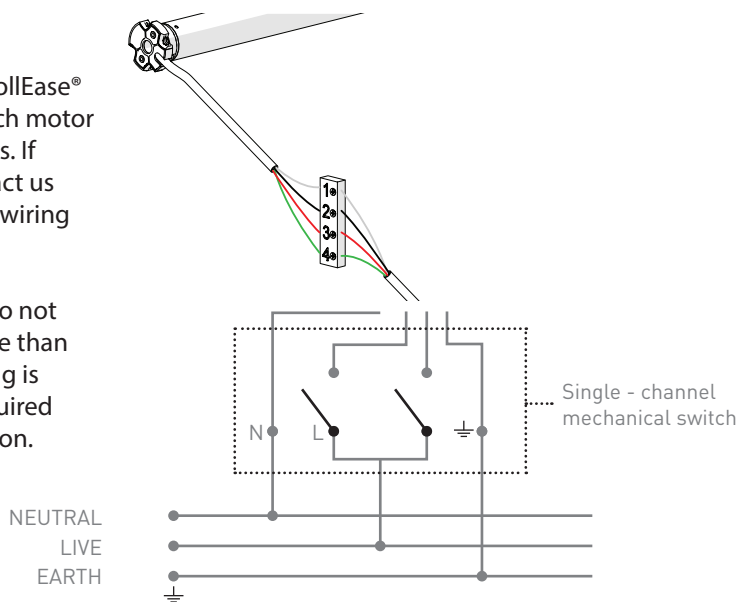
Example of connection and recess sizing for a Single Motorised Roller Blind



Power Options:

Parallel Wiring - Do not wire RollEase® standard motors in parallel. Each motor requires its own switch or relays. If group control is required contact us for the required controller and wiring information.

Multiple Switching Wiring - Do not wire one motor directly to more than one switch. If multiple switching is required contact us for the required controller and wiring information.



SPECIFICATIONS



Rollease Acmeda - Roller Blind Motorisation - Wirefree

SPECIFICATIONS

Control Options

Paradigm Remotes feature a contemporary design with touch sensitive controls. Available in single and fifteen channel models, paradigm remotes are compatible with all ARC motors. An LCD with levelling control features on the 15 channel remote, allowing for precise positioning of your blind.



Remote

Descr: Paradigm 5CH ARC Remote (5 Channel)

Automate Pulse/App

Whether you are at home or away, you can accurately control your blinds via the animated interface on your smart phone. Bi-directional communication allows you to visualise the exact positioning of blinds whilst also tracking the battery levels. Within the app, automate hub allows you to group shades into rooms making it easier to operate multiple blinds at once. Timers are also available allowing you to control sunlight throughout the day. This can help with heat loss/gain and provide UV protection to furnishings.

Automate Pulse Specifications		Automate Pulse Capabilities	
Installation	Desktop or wall mounted	Accounts per Hub	5 (1 admin, 4 guests)
Power Input	SVDC/1A	Locations per account	5
Rated Current	500mA	Devices per Hub	30
Rated Power	<2.5W	Hubs per location	5
Standby Power	≤300mA	Rooms per location	30
Wi-Fi Network	802.11 b/g/n - 2.4GHz only	Scenes per location	20
Device Central Frequency	433MHz	Timers per location	20
Radio Coverage	30m for device control (indoors)	Connection: Ethernet and Wifi	
Protection Class	IP20		
Antenna	Built-in		
Working Temperature	-10 ° to 45 °		
Storage Temperature	-20 ° to 55 °		

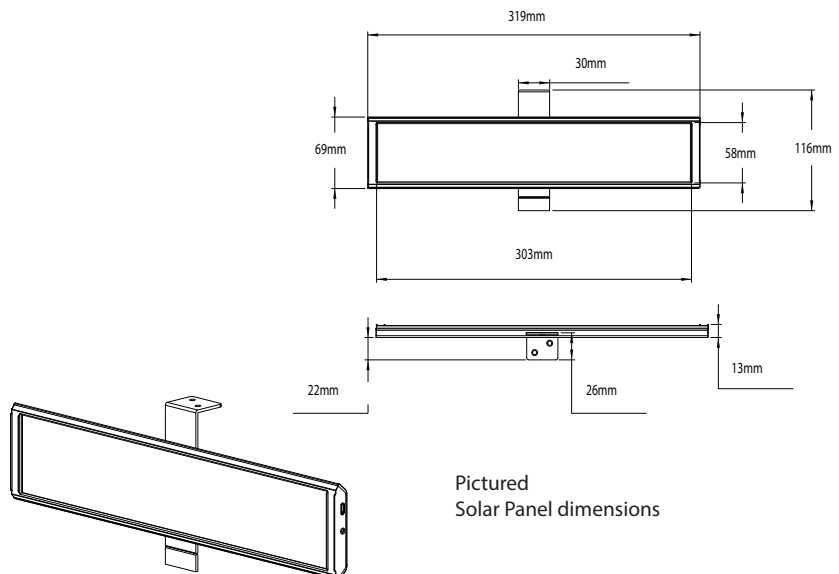
Automate Pulse 2 Hub



- SERIAL INTERFACE
- REMOTE ACCESS
- TIMERS
- SCENES
- MANAGE ROOMS
- SMART PHONE MOTOR SETUP
- SETUP WIZARD
- MANAGE LOCATIONS
- 433MHZ BI-DIRECTIONAL

Solar Panel Charger

The Rollease Acmeda® solar panel charger is great for hard to reach places. The solar panel will allow you to raise and lower your blinds once a day whilst maintaining a constant charge to the motor. The mono-silicon/crystal solar panel provides power in varied conditions including in shadow-cast and low light situations. Panels can also be wired in parallel to provide additional power for larger applications.



Pictured Solar Panel dimensions