



Securo®



# SPECIFICATIONS

Sec. : Securo®  
Date : Aug 2016



# SPECIFICATIONS

# Securo® - Overview



## Securo® Overview

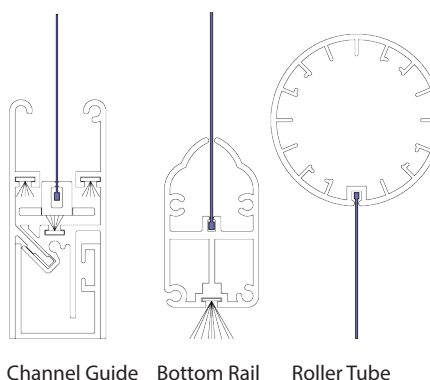


**Securo®** is an Italian designed specialised roller blind with 6 models. The main function of Securo® is to provide shelter from the elements: wind, rain, sun and heat. Depending on which **Securo®** model suits your requirements, the **Securo®** can be installed either as an exterior or interior product.

The key to this innovative robust interior/exterior **Securo®** product is how the fabric is locked (Securo®) into the roller tube, channel guides and bottom aluminium rail. This locking method ensures that the fabric is held in place during inclement weather. The Securo® Channel Guide 75 & 95 systems have been designed for winds up to 65km/h and Securo® Max is designed for winds up to 35km.

The versatility of **Securo®** provides for various control options such as crank, chain or motorisation with a variety of different head box sizes and an optional stainless steel wire guide.

These robust features and the fully enclosed head box to protect the fabric, makes **Securo®** the most advanced and stylish interior/exterior roller blind on the market.



Model Types:	Application:	Maximum Width GuideLines (Width)	Operation:
Securo® Insect Screen	Interior	1.9m	Manual – Chain
Securo® Junior	Interior	1.9m	Manual – Chain
Securo® Channel Guide 75	Interior	3.9m	Motorised, Crank Handle
Securo® Channel Guide 95	Interior	3.9m	Motorised, Crank Handle
Securo® Max Channel Guide	Interior	10m	Motorised
Securo® Max Wire Guide	Interior	10m	Motorised
Securo® Channel Guide 75	Exterior	3.9m	Motorised, Crank Handle
Securo® Wire Guide 75	Exterior	3.9m	Motorised, Crank Handle
Securo® Channel Guide 95	Exterior	3.9m	Motorised, Crank Handle
Securo® Wire Guide 95	Exterior	3.9m	Motorised, Crank Handle
Securo® Max Channel Guide	Exterior	10m	Motorised
Securo® Max Wire Guide	Exterior	10m	Motorised
Securo® Side Roll	Interior/Exterior	4.2m	Manual - Side Pull with Brake

### Applications:

**Interior** - Selecting from a variety of fabrics such as Sunscreen, Light-filtering, Block-out or Insect Screen, Securo® blinds are ideally suited to computer rooms, offices, home theatre, room dividers and bedrooms. Securo® blinds offer insect control, sun and heat control and when required a complete block-out to a room.



### Operation:

Securo® has 4 options for raising and lowering:

1. **Chain** - Securo® Insect Screen and Securo® Junior are controlled manually with a plastic beaded chain. (Internal applications only)
2. **Crank** - Securo® Channel and Wire Guide (75 & 95) for internal or external applications are controlled by a crank handle. Depending on the facade height of building, you can operate your Securo® Channel and Wire Guide from the inside of your office using a specially designed Crank Handle 90° transmission through the frame. For security reasons or to stop an unwanted guest operating the Securo®, a magnetic cardan joint crank handle allows for the easy removal and storage of the crank handle whilst not in use.
3. **Motor** - for both Securo® and Securo® Max Channel and Wire Guide systems which can be linked to a building management system or remote controlled with optional light and wind sensors.
4. **Manual side-pull with brake** - Securo® Side Roll

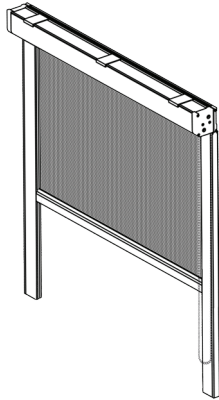
Sec. : Securo  
Date: Aug 2016



# Securo® - Insect Screen

SPECIFICATIONS

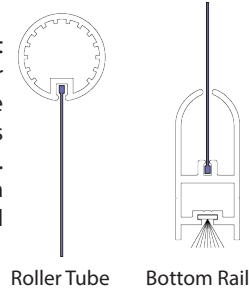
## Securo® Insect Screen



**Securo® Insect Screen** is an Italian designed solution for small to medium windows helping you relax and enjoy your home by allowing ventilation and light in, while keeping insects out.

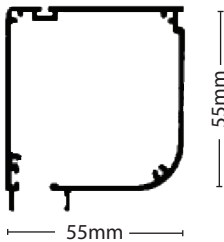
Window Treatments uses Super Screen® (Clear View) – A woven fabric using .014" diameter vinyl coated 420 denier polyester core yarns in the warp and weft.

The key to this innovative robust interior **Securo® Insect Screen** is how the fabric is locked (**Securo®**) into the roller tube within the aluminium head box and bottom rail. The screen material within the aluminium Channel guides is secured by nylon rivets which are spaced at 150mm. **Securo® Insect Screen** is operated manually by using a control chain which is plastic beaded with a nylon cord running through the centre of the beads.

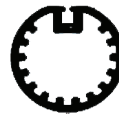


These robust features and the fully enclosed head box to protect the screen, makes **Securo® Insect Screen** the most advanced and stylish interior Insect Screen on the market for small to medium windows and doors.

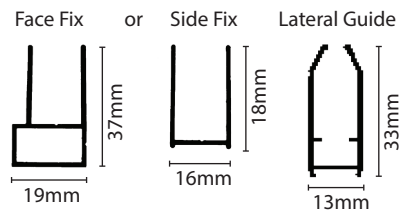
- Application** : Interior
- Maximum Size** : 1.95m wide x 2.15m drop (drop subject to fabric selection)
- Operation** : Control chain
- Fixing** : Top or Face Fix
- Material Type** : Super Screen® (Clear View) – A woven fabric using .014" diameter vinyl coated 420 denier polyester core yarns in the warp and fill. (Technical Report available on request)
- Head Box** : Aluminium  
55mm x 55mm  
Fully enclosed 1 piece cassette aluminium head box protecting the roller tube and fabric  
Lip Seal
- Tube** : Aluminium



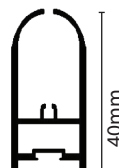
Tube Ø22mm  
Securo® Locking Groove



- Channel Guides** : Aluminium  
2 piece on each side  
Face Fix 19mm x 37mm  
Side Fix 16mm x 18mm  
Lateral Guide 13mm x 33mm



- Bottom Rail** : Aluminium  
1 piece  
17mm x 40mm  
Securo® Locking Groove  
Soft Touch

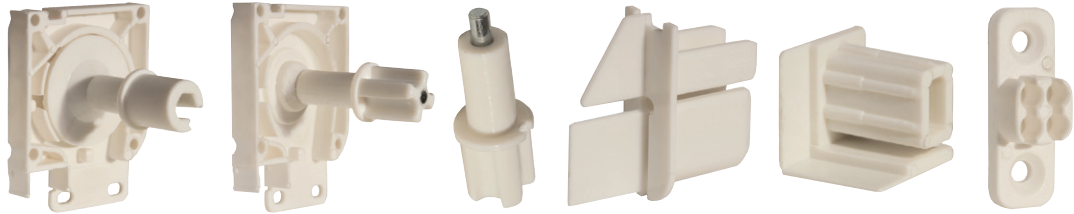


Sec. : Securo  
Date : Aug 2016

# Securo® - Insect Screens



## Kit Components:



Controller End Cap

Pin End Cap

Pin

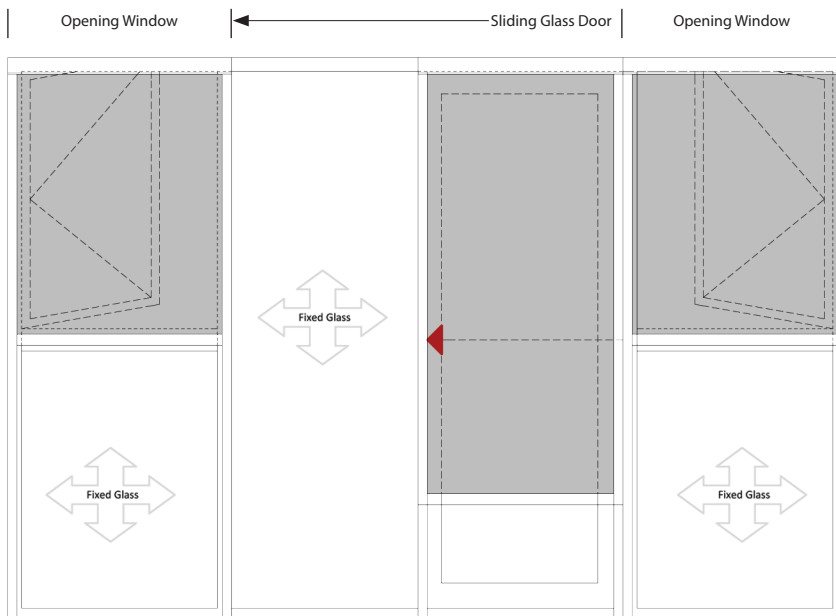
Bottom Rail End Cap

Channel Guide End Cap

Control Chain Wall Fix

## Opening Window/Doors:

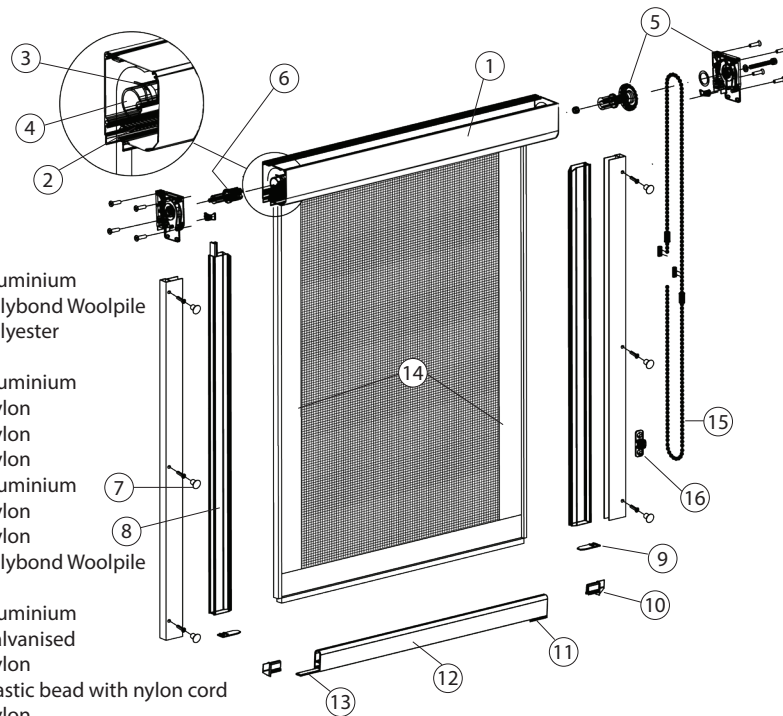
Butting two or more *Securo*® Insect Screen allows for easy access opening windows, sliding or hinged doors:



## Securo® Insect Screen Specifications

### Key Numbers

- |  |                                |
|--|--------------------------------|
| 1. Head Box                                      | : Aluminium                    |
| 2. Lip Seal                                      | : Polybond Woolpile            |
| 3. Securo® Locking Spline                        | : Polyester                    |
| 4. Roller Tube ø22mm with Securo® Locking Groove | : Aluminium                    |
| 5. Controller End Cap                            | : Nylon                        |
| 6. Pin End Cap                                   | : Nylon                        |
| 7. Caps for Face Fix                             | : Nylon                        |
| 8. Channel Guides (2 profiles)                   | : Aluminium                    |
| 9. Channel Guide End Caps                        | : Nylon                        |
| 10. Bottom Rail End Caps                         | : Nylon                        |
| 11. Soft Touch                                   | : Polybond Woolpile            |
| 12. Bottom Rail with Securo® Locking Groove      | : Aluminium                    |
| 13. Iron Plate                                   | : Galvanised                   |
| 14. Rivets - Secured to fabric                   | : Nylon                        |
| 15. Control Chain                                | : Plastic bead with nylon cord |
| 16. Control Chain Wall Fix                       | : Nylon                        |



### Note:

- Colours available for Key numbers (1, 8, 12) are: U6 Metal, New White, T6 Ivory and Z2 Matte Black
- Colours available for Key numbers (5, 6, 7, 9, 10, 15, 16) are: White, Black

Sec. : Securo  
Date : Aug 2016

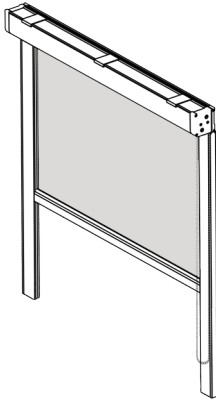
SPECIFICATIONS



# Securo® - Junior

SPECIFICATIONS

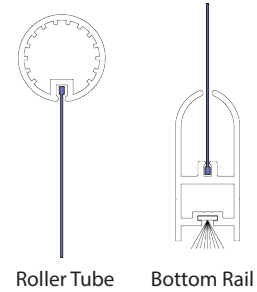
## Securo® Junior



Securo® Junior is an Italian designed solution for small to medium interior roller blinds providing complete block-out and prevents glare when required.

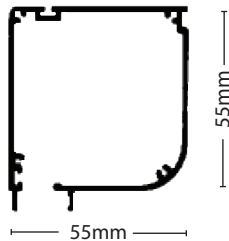
Window Treatments has a variety of fabrics for interior applications (such as Sunscreen, Light-filtering or Block-out) which are ideally suited for computer rooms, offices, home theatre and bedrooms as they prevent glare and provide complete block-out when required.

The key to this innovative robust interior roller blind is how the fabric is locked (Securo®) into the roller tube within the aluminium head box and bottom rail. The fabric within the aluminium channel guides is secured by nylon rivets which are spaced at 150mm. Securo® Junior is operated manually by using a control chain which is plastic beaded with a nylon cord running through the centre of the beads.



These robust and versatile features makes Securo® Junior the most advanced roller blind system on the market for small to medium windows and doors.

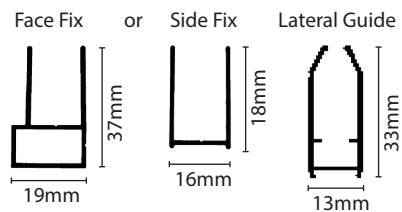
- Application** : Interior
- Maximum Size** : 1.95m wide x 2.2m drop (drop subject to fabric selection)
- Operation** : Control Chain
- Fixing** : Top or Face Fix
- Material Type** : Super Screen, Light-filtering, Block-out
- Head Box** : Aluminium  
55mm x 55mm  
Fully enclosed 1 piece cassette aluminium head box protecting the roller tube and fabric  
Lip seal



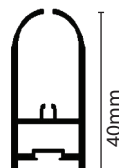
- Tube** : Aluminium  
Tube Ø22mm  
Securo® Locking Groove



- Channel Guides** : Aluminium  
2 piece on each side  
Face Fix 19mm x 37mm  
Side Fix 16mm x 18mm  
Lateral Guide 13mm x 33mm

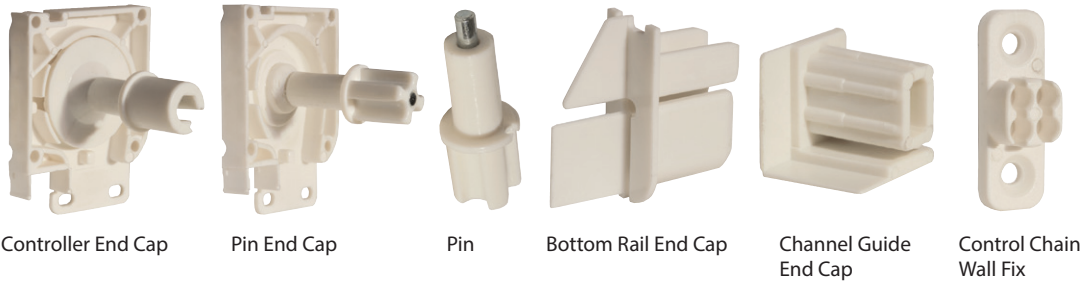


- Bottom Rail** : Aluminium  
1 piece  
17mm x 40mm  
Securo® Locking Groove  
Soft Touch



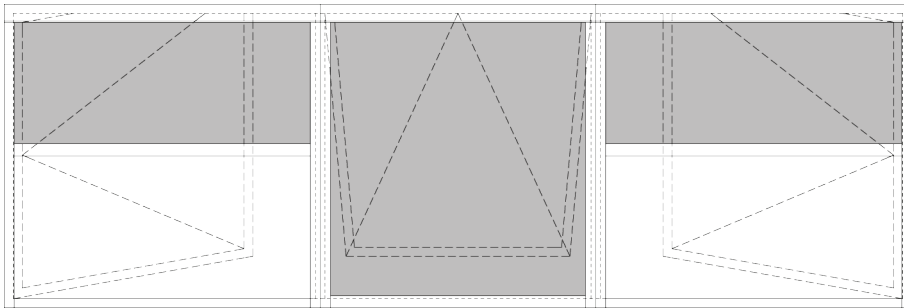
Sec. : Securo  
Date : Aug 2016

## Kit Components:



## Opening Window:

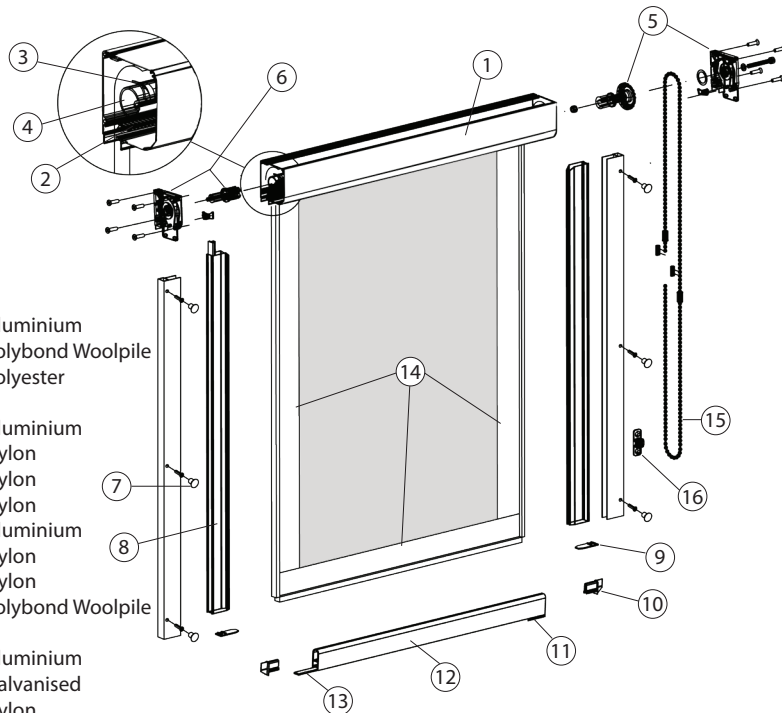
Butting two or more **Securo® Junior** allows for easy access opening windows.



## Securo® Junior Specifications

### Key Numbers

- |  |                                |
|--|--------------------------------|
| 1. Head Box                                      | : Aluminium                    |
| 2. Lip Seal                                      | : Polybond Woolpile            |
| 3. Securo® Locking Spline                        | : Polyester                    |
| 4. Roller tube ø22mm with Securo® Locking Groove | : Aluminium                    |
| 5. Controller End Cap                            | : Nylon                        |
| 6. Pin End Cap                                   | : Nylon                        |
| 7. Caps for Face Fix                             | : Nylon                        |
| 8. Channel Guides (2 profiles)                   | : Aluminium                    |
| 9. Channel Guide End Caps                        | : Nylon                        |
| 10. Bottom Rail End Caps                         | : Nylon                        |
| 11. Soft Touch                                   | : Polybond Woolpile            |
| 12. Bottom Rail with Securo® Locking Groove      | : Aluminium                    |
| 13. Iron Plate                                   | : Galvanised                   |
| 14. Rivets - Secured to fabric                   | : Nylon                        |
| 15. Control Chain                                | : Plastic bead with nylon cord |
| 16. Control Chain Wall Fix                       | : Nylon                        |



### Note:

- Colours available for Key numbers (1, 8, 12) are: U6 Metal, New White, T6 Ivory and Z2 Matte Black
- Colours available for Key numbers (5, 6, 7, 9, 10, 15, 16 ) are: White, Black

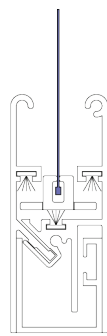
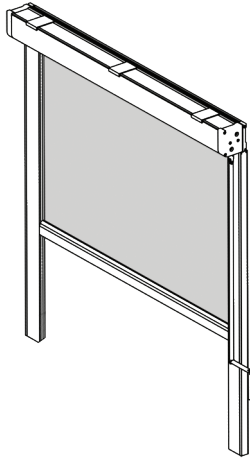
Sec. : Securo  
Date : Aug 2016



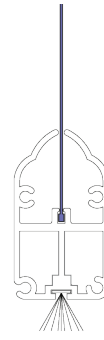
# Securo® - Channel Guide 75 & 95

SPECIFICATIONS

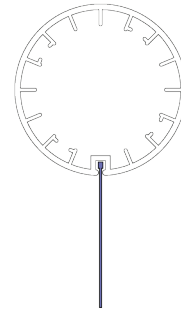
## Securo® Channel Guide 75, Securo® Channel Guide 95



Channel Guide



Bottom Rail

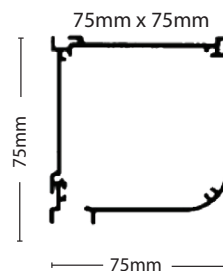
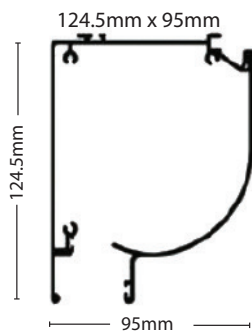


Roller Tube

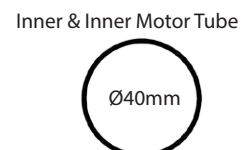
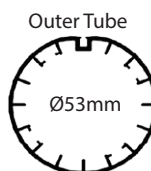
- Application** : Interior or Exterior
- Maximum Size** : 3.9m wide x 3.0m drop (drop subject to fabric selection)
- Operation** : Crank Handle or Motorised  
**Securo® Channel Guide** can be linked to a building management system, remote controlled and with wall switches with optional light & wind sensors



- Fixing** : Top or Face Fix
- Material Type (Interior)** : Sunscreen, Light-filtering, Block-out  
**(Exterior)** : TEXTILENE® 95
- Head Box Options**
  - 95mm x 124.5mm 2 piece cassette is recommended for use with all fabrics including clear PVC. The two piece cassette box provides ease of maintenance and assembly.
  - 75mm x 75mm 1 piece cassette for narrow reveals recommended for all fabrics except PVC.



- Tube** : Aluminium  
 Outer Tube Ø53mm  
 Inner Tube Ø40mm  
 Inner Motorisation Tube Ø40mm  
 Securo® Locking Groove

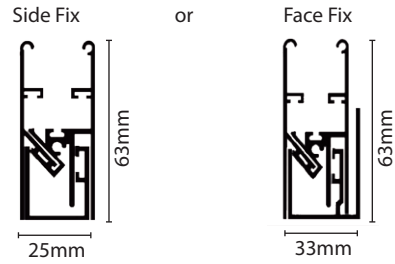




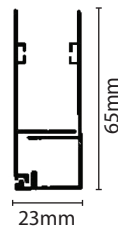
# Securo® - Channel Guide 75 & 95



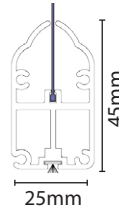
**Channel Guide** : Aluminium  
 4 pieces on each side  
 Securo® Locking Groove  
 Lip Seal  
 Face Fix 33mm x 63mm  
 Side Fix 25mm x 63mm



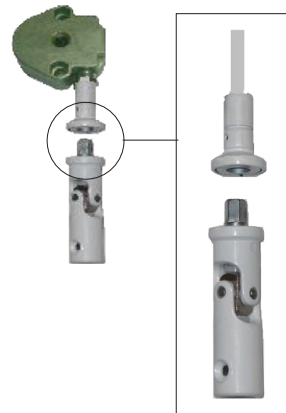
**Channel Guide Optional** : Aluminium  
 2 pieces on each side  
 PVC only  
 No Securo® Locking Groove  
 Lip Seal



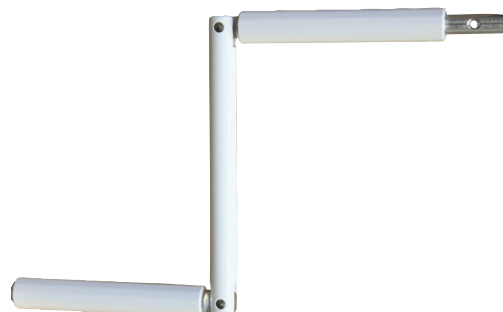
**Bottom Rail** : Aluminium  
 1 piece  
 Securo® Locking Groove  
 Lip Seal  
 Soft Touch



**Securo® Gear** : Case : Zinc Aluminium  
 Screw Worm : Aluminium  
 Crown : Brass  
 Gear Ratio : 5/5  
 Nickel Brass Magnetised Cardan Joint complete with bell coupling



**Crank Handle** : Crank Handle with aluminium tube  
 Colours available: White, Black



SPECIFICATIONS

Sec. : Securo  
 Date : Aug 2016



# Securo® - Wire Guide Options

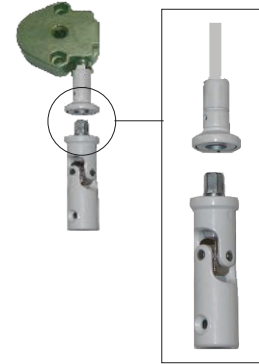
SPECIFICATIONS

## Securo® Wire Guide Options

**Crank Handle 90° transmission through frame** : Nickel Brass Cardan Joint complete with bell coupling  
Nylon Case  
Colours available: White, Black



**Crank Handle Magnetic Cardan Joint** : Colours available: White, Black



**Fixed Crank Handle Holder** : Nylon Case  
Colours available: White, Black



## Securo® Wire Guide 75,95

Available in 2 sizes:

**Size:**

Securo® Wire Guide 75

Securo® Wire Guide 95

**Maximum Width:**

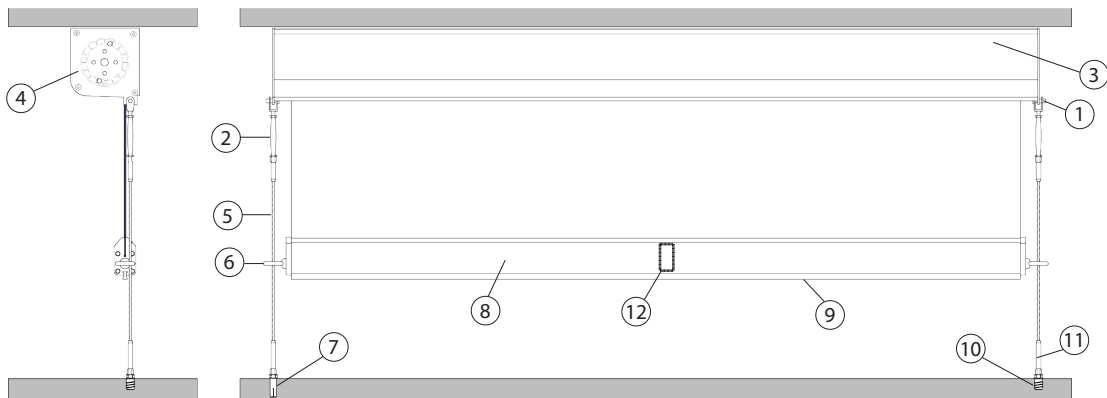
3.9m

3.9m

**Operation:**

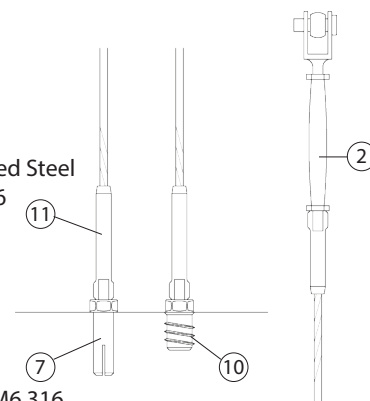
Crank Handle or Motorised

Crank Handle or Motorised



### Key Numbers

- |   |                                       |
|---|---------------------------------------|
| 1. Eyelet                                   | : Stainless Steel 316                 |
| 2. Jaw/Swage Pipe Turnbuckle                | : Stainless Steel S3121P M6/3.0       |
| 3. Head Box                                 | : Aluminium                           |
| 4. End Cap                                  | : Powder Coated over Galvanised Steel |
| 5. 3mm Stainless Steel Cable Wire           | : Stainless Steel 7 x 19 ASIST316     |
| 6. Eye Bolt                                 | : Stainless Steel 316                 |
| 7. Drop in Anchor (Concrete Fixing)         | : Stainless Steel 316                 |
| 8. Bottom Rail                              | : Aluminium                           |
| 9. Soft Touch                               | : Polybond Woolpile                   |
| 10. Counter Sunk Socket Screw (wood fixing) | : Stainless Steel 316                 |
| 11. Swage Stud                              | : Stainless Steel S7801 3mm x M6 316  |
| 12. Stabilising Bolt (optional)             | : Stainless Steel                     |

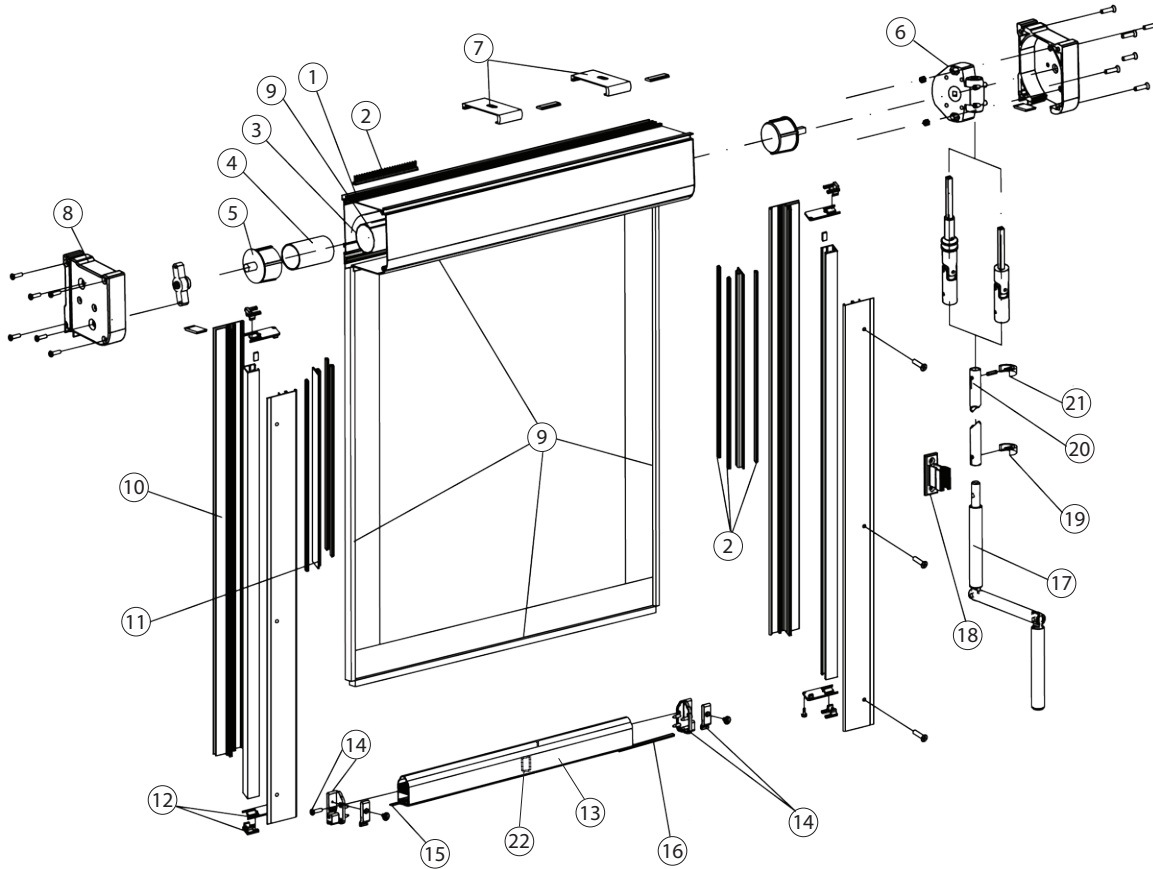


Sec. : Securo  
Date : Aug 2016

# Securo® - Channel Guide 75 & 95

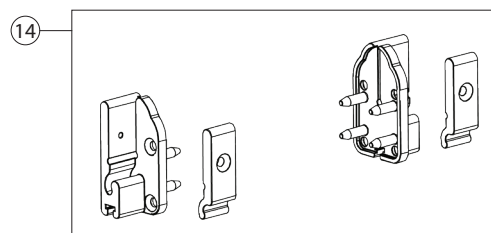
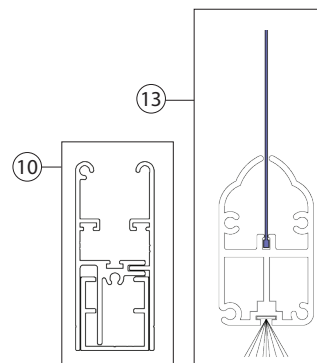


## Securo® Channel Guide 75, Securo® Channel Guide 95, Specifications



### Key Numbers

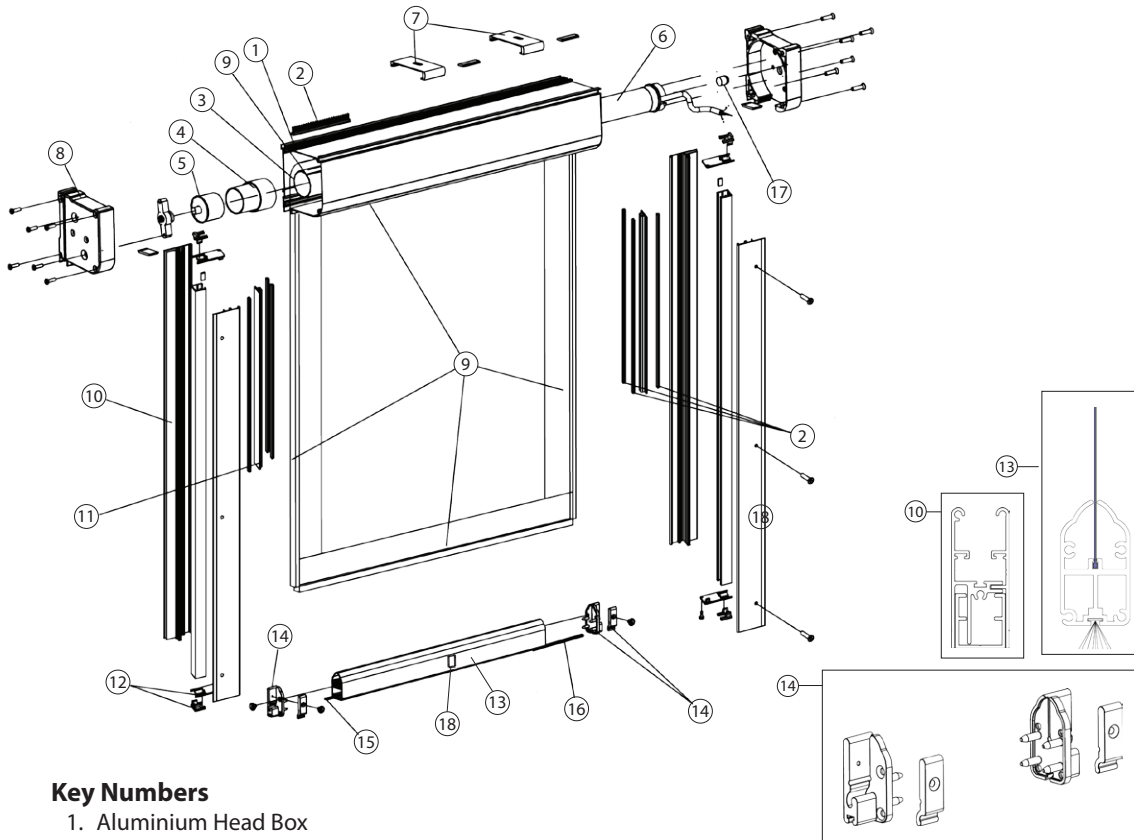
1. Aluminium Head Box  
Colours available: U6 Metal, New White,  
T6 Ivory, Z2 Matte Black
2. Lip Seal
3. Aluminium Roller Tube Ø 53mm with Securo® Locking Groove
4. Aluminium Roller Tube Ø 40mm
5. Round Hub Pivot Ø 10mm
6. Gear 5/5 Ratio with standard Magnetic Cardan Joint
7. Zinc Plated Wall Ceiling Fixing Bracket
8. End Caps Nylon - Colours available: Black, White
9. Securo® Locking Spline (Head Rail, Channel Guides, Bottom Rail)
10. Aluminium Channel Guides (3 Profiles)  
Colours available: U6 Metal, New White,  
T6 Ivory, Z2 Matte Black
11. Channel Guides PVC
12. Channel Guide Plastic End Caps
13. Bottom Rail Aluminium  
Colours available: U6 Metal, New White,  
T6 Ivory, Z2 Matte Black
14. Bottom Rail Plastic End Caps
15. Galvanised Iron Plate
16. Soft Touch - Polybond Woolpile
17. Crank Handle
18. Fixed Crank Handle Holder
19. Ring
20. Aluminium Roller Tube Ø 13mm
21. Ring with Pin
22. Stabilising Bolt (optional) Stainless Steel



SPECIFICATIONS

Sec. : Securo  
Date: Dec 2017

## Securo® Channel Guide 75 & 95 Motorisation Specifications



### Key Numbers

1. Aluminium Head Box  
95 x 125 & 75 x 75 Motorisation  
Colours available: U6 Metal, New White,  
T6 Ivory, Z2 Matte Black
2. Lip Seal
3. Aluminium Roller Tube Ø 53mm with  
Securo® Locking Groove
4. Aluminium Roller Tube Ø 40mm for electric  
220V Somfy Motor
5. Round Hub Pivot Ø 10mm
6. Somfy Motor 220V
7. Zinc Plated Wall Ceiling Fixing Bracket
8. End Caps Nylon - Colours available: Black,  
White
9. Securo® Locking Spline (Head Rail, Channel  
Guides, Bottom Rail)
10. Aluminium Channel Guides (3 Profiles)  
Colours available: U6 Metal, New White,  
T6 Ivory, Z2 Matte Black
11. Channel Guides PVC
12. Channel Guide Plastic End Caps
13. Bottom Rail Aluminium  
Colours available: U6 Metal, New White,  
T6 Ivory, Z2 Matte Black
14. Bottom Rail Plastic End Caps
15. Galvanised Iron Plate
16. Soft Touch - Polybond Woolpile
17. Pivot for Motor
18. Stabilising Bolt (optional) Stainless Steel

### Motorisation option - Securo® 75-95 Channel Guide/Wire Guide

Motor Selection		<6m <sup>2</sup>	>6m <sup>2</sup>	Sun Sensor
<b>Securo 75-95</b>	RTS	Sonesse 6/20	Sonesse 9/12	Altus 13/8
	WT	Sonesse 6/20	Sonesse 9/12	

### KEY:

WT = Mechanical switch hardwired to the motor.

RTS = Remote control (handheld or wallmounted)

Maximum Width: 3.9m, Maximum Projection: 3.0m (subject to fabric choice)

Performances	Sonesse 6/20	Sonesse 9/12	Altus 13/10
Torque	6 Nm	9 Nm	13 Nm
Nominal Voltage	230v	230v	230v
Rated Current	0.55 A	0.55 A	0.52 A
Rated Power	120W	120W	110W
Speed	20 RPM	12 RPM	10 RPM
Thermal Protection	4 Min	4 Min	4 Min
Radio Frequency	433.42	433.42	433.42
Sound Level (DB)	45	40	52
Cable Length	2500mm	2500mm	3000mm
IP Rating	IP 44	IP 44	IP 44
Insulation Class	II	II	II

Sunis Wirefree  
RTS Sun Sensor



Eolis RTS Wind Sensor    Soliris RTS- Sun & Wind  
Sensor

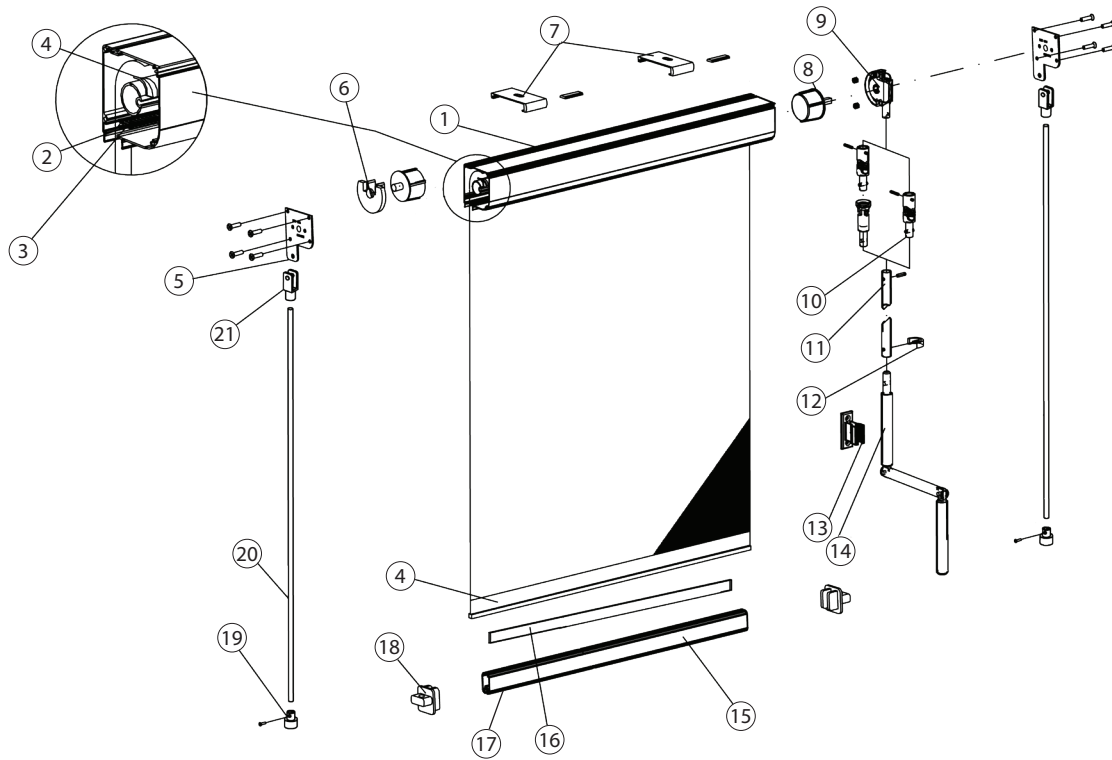


Sec. : Securo  
Date: Aug 2018

### Somfy Sensors

Weather Sensors can be used for automatic control. These include wind and sun sensors. Wind sensors will retract your awning if wind speeds exceed 35 km/h. The sun sensor works on light levels and can be programmed to a specific light level.

## Securo® Wire Guide 95, 75 Crank Handle

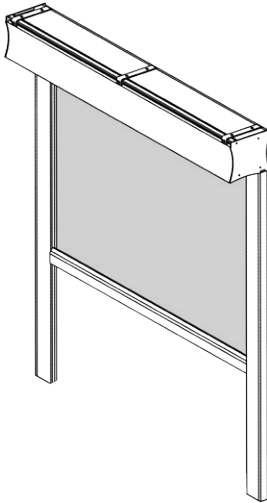


### Key Numbers

1. Aluminium Head Box  
Colours available: U6 Metal, New White, T6 Ivory, Z2 Matte Black
2. Lip Seal
3. Aluminium Roller Tube Ø 53mm with Securo® Locking Groove and inner Aluminium Roller Tube Ø 40mm
4. Zip
5. End Cap Powder Coated over Galvanised Steel
6. Nylon Support
7. Zinc Plated Wall Ceiling Fixing Bracket
8. Hub Pivot Ø 10mm
9. Gear 5/5 Ratio with standard Magnetic Cardan Joint
10. Nickel Brass Cardan Joint
11. Aluminium Crank Handle Tube Ø 10mm
12. Ring with Pin
13. Fixed Crank Handle Holder - Colours available: Black, White
14. Crank Handle - Colours available: Black, White
15. Bottom Rail Aluminium  
Colours available: U6 Metal, New White, T6 Ivory, Z2 Matte Black
16. Galvanised Iron Plate
17. Soft Touch - Polybond Woolpile
18. Bottom Rail Plastic End Caps (Colours available: Black, White), with Stainless Steel Eye Bolt
19. Stainless Steel Swage Stud with either;
  - Counter Sunk Socket Screw for Wood Fixing
  - Drop in Anchor for Concrete Fixing
20. 3mm Stainless Steel Wire
21. Stainless Steel Fork Swage

Sec. : Securo  
Date: Dec 2017

## Securo® Max Channel Guide



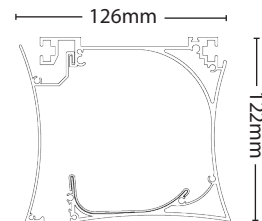
**Securo®Max Channel Guide** is a revolutionary new addition to the market. Italian designed, **Securo®Max** Channel Guide is the solution for extra large exterior roller blinds.

**Securo®Max Channel Guide** when motorised, can be linked to a building management system, remote controlled and/or with wall switches. Window Treatments is an authorised Somfy Automation Specialist. For further information on the type of motors, switches and power requirements, please contact [motorisation@window-treatments.co.nz](mailto:motorisation@window-treatments.co.nz)

- Application** : Exterior/Interior
- Maximum Size** : 10m wide x 3.0m drop
- Operation** : Motorised  
**Securo® Max** can be linked to a building management system, remote controlled and/or with wall switches with optional light and wind sensors

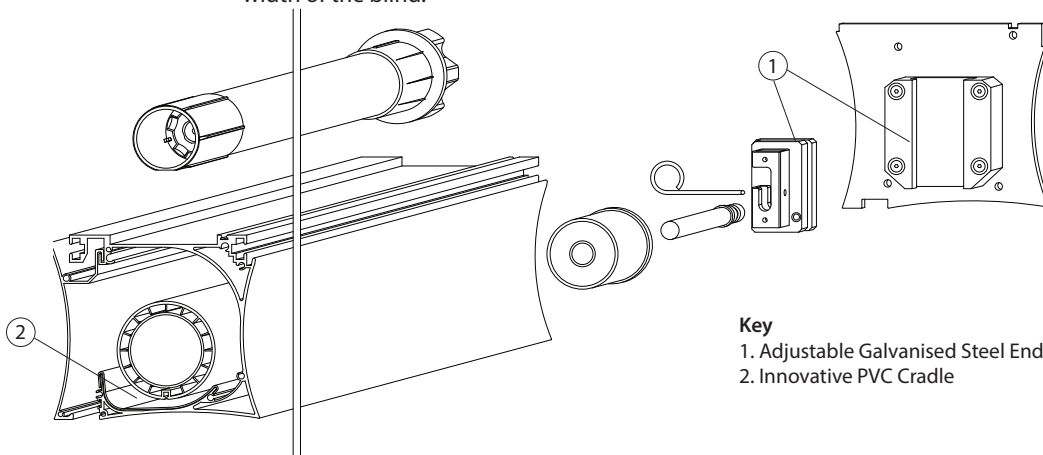


- Fixing** : Top or Face Fix
- Material Type** : TEXTILENE® NANO™ 95 – a durable and tough synthetic FR fabric made of PVC coated polyester designed for outdoor use
- Head Box** : Fully enclosed 2 piece cassette Aluminium head box protecting the roller tube and motor  
Roller Tube with Securo® Locking Groove  
Lip Seal  
Innovative PVC Cradle for supporting the roller tube



### Adjustable Galvanised Steel End Caps and PVC Cradle

One of the key features of Securo®Max is that it can be manufactured up to 10m wide. This is made possible due to the vertical slide movement of the adjustable galvanised steel end caps. This end cap feature distributes the weight of the TEXTILENE® NANO™ 95 fabric evenly over the aluminium roller tubes. This feature is also enhanced by the innovative PVC cradle that supports the TEXTILENE® NANO™ 95 fabric and tube over the entire width of the blind.



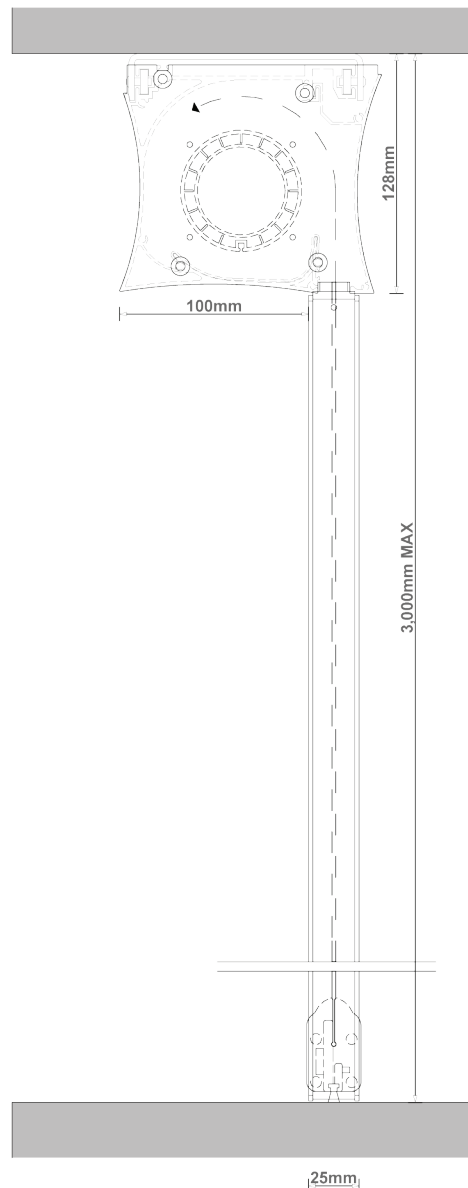
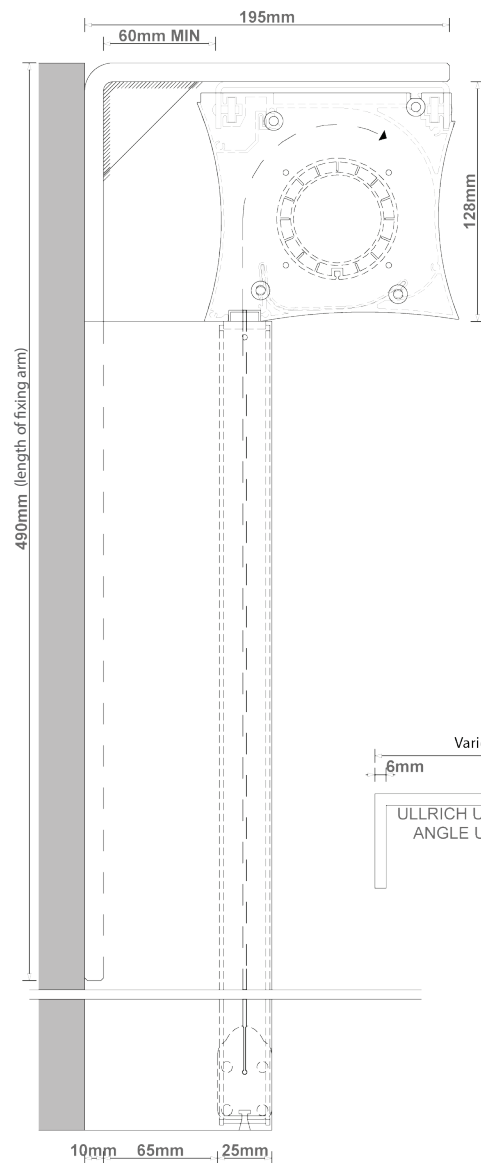
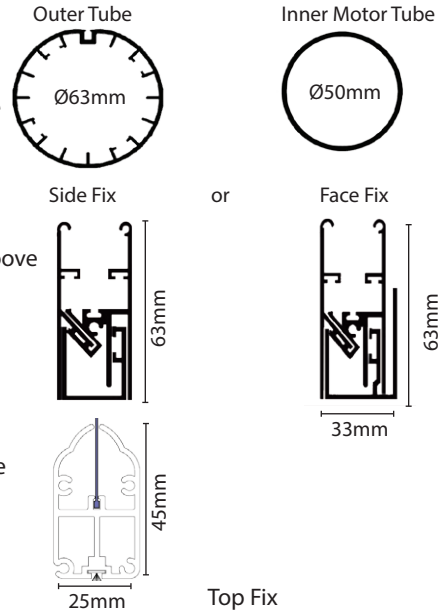
- Key**
1. Adjustable Galvanised Steel End Cap
  2. Innovative PVC Cradle

Sec. : Securo  
Date: Aug 2016

# Securo<sup>®</sup> Max - Channel Guide



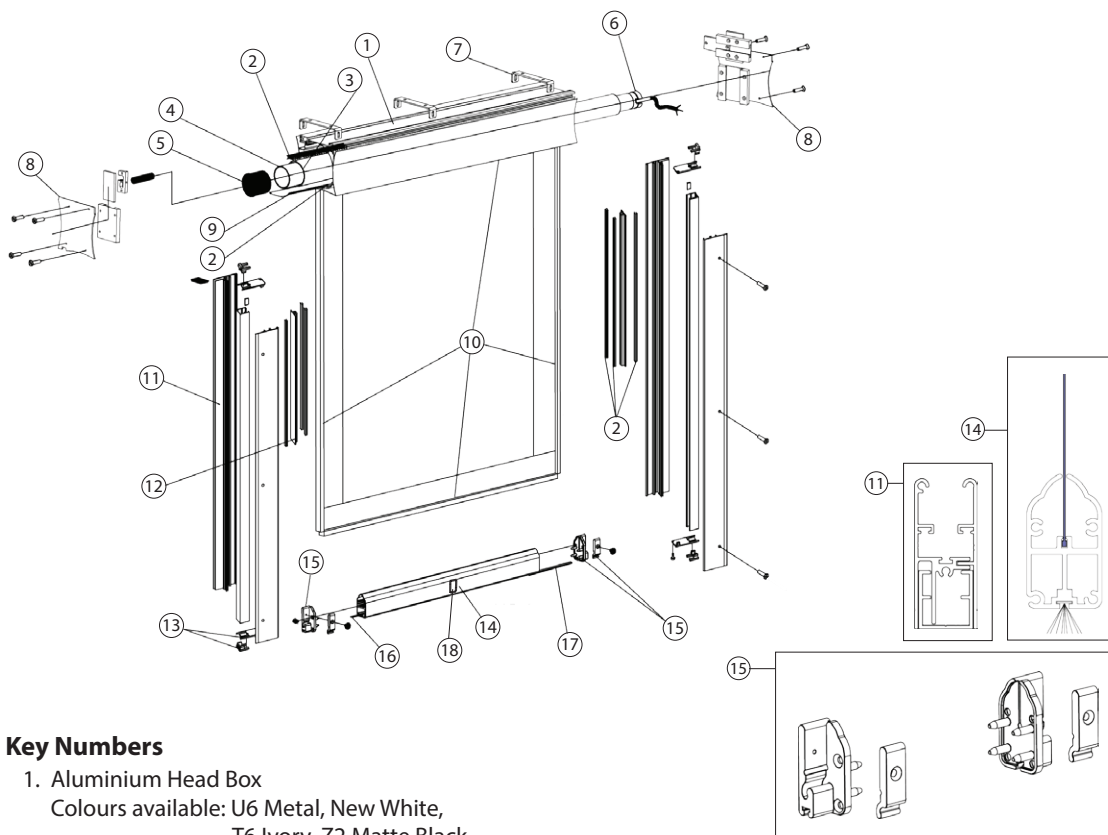
- Tube** : Aluminium  
Outer Tube Ø63mm  
Inner Motor Tube Ø50mm  
Roller Tube with Securo<sup>®</sup> Locking Groove
- Channel Guides** : Aluminium  
4 pieces on each side  
Channel Guide with Securo<sup>®</sup> Locking Groove  
Lip Seal  
Side Fix 25mm x 63mm  
Face Fix 33mm x 63mm
- Bottom Rail** : Aluminium  
Bottom Rail with Securo<sup>®</sup> Locking Groove  
Lip Seal  
Soft Touch
- Fixing Options** : Face Fix



SPECIFICATIONS

Sec. : Securo  
Date : Dec 2017

## Securo® Max Channel Guide Specifications



### Key Numbers

1. Aluminium Head Box  
Colours available: U6 Metal, New White, T6 Ivory, Z2 Matte Black
2. Lip Seal
3. Aluminium Roller Tube Ø 63mm with Securo® Locking Groove
4. Aluminium Roller Tube Ø 50mm for electric 220 V Somfy Motor
5. Round Hub Pivot Ø10mm
6. Somfy Motor 220 V
7. Zinc Plated Wall Ceiling Fixing Bracket
8. Adjustable Galvanised Steel End Caps
9. PVC Cradle
10. Securo® Locking Groove (Head Rail, Channel Guides, Bottom Rail)
11. Aluminium Channel Guides (3 Profiles)  
Colours available: U6 Metal, New White, T6 Ivory, Z2 Matte Black
12. Channel Guides PVC
13. Channel Guide Plastic End Caps
14. Bottom Rail Aluminium  
Colours available: U6 Metal, New White, T6 Ivory, Z2 Matte Black
15. Bottom Rail Plastic End Caps
16. Galvanised Iron Plate
17. Soft Touch - Polybond Woolpile
18. Stabilising Bolt (optional) Stainless Steel

### Motorisation - Securo Max Channel Guide/Wire Guide

Motor Selection		<10m <sup>2</sup>	>10m <sup>2</sup>
Securo Max	RTS	Altus 10/17	Altus 25/17
	WT	Jet 10/17	Gemini 25/17

KEY:  
WT = Mechanical switch hardwired to the motor.  
RTS = Remote control (handheld or wallmounted)  
Maximum Width: 10m, Maximum Drop: 3.0m

Performances	Altus 10/17	Jet 10/17	Altus 25/17	Gemini 25/17
Torque	10 Nm	10 Nm	25 Nm	25 Nm
Nominal Voltage	230v	230v	230v	230v
Rated Current	0.5 A	0.5 A	0.8 A	0.8 A
Rated Power	120W	120W	170W	170W
Speed	17 RPM	17 RPM	17 RPM	17 RPM
Thermal Protection	4 Min	4 Min	4 Min	4 Min
Radio Frequency	433.42	433.42	433.42	433.42
Sound Level (DB)	47	47	56	57
Cable Length	2500mm	2500mm	3000mm	2500mm
IP Rating	IP 44	IP 44	IP 44	IP 44
Insulation Class	I	I	I	I

### Somfy Sensors

Weather Sensors can be used for automatic control. These include wind and sun sensors. Wind sensors will retract your awning if wind speeds exceed 35 km/h. The sun sensor works on light levels and can be programmed to a specific light level.

Sunis Wirefree RTS Sun Sensor



Eolis RTS Wind Sensor Soliris RTS- Sun & Wind Sensor





# Securo® Max - Wire Guide

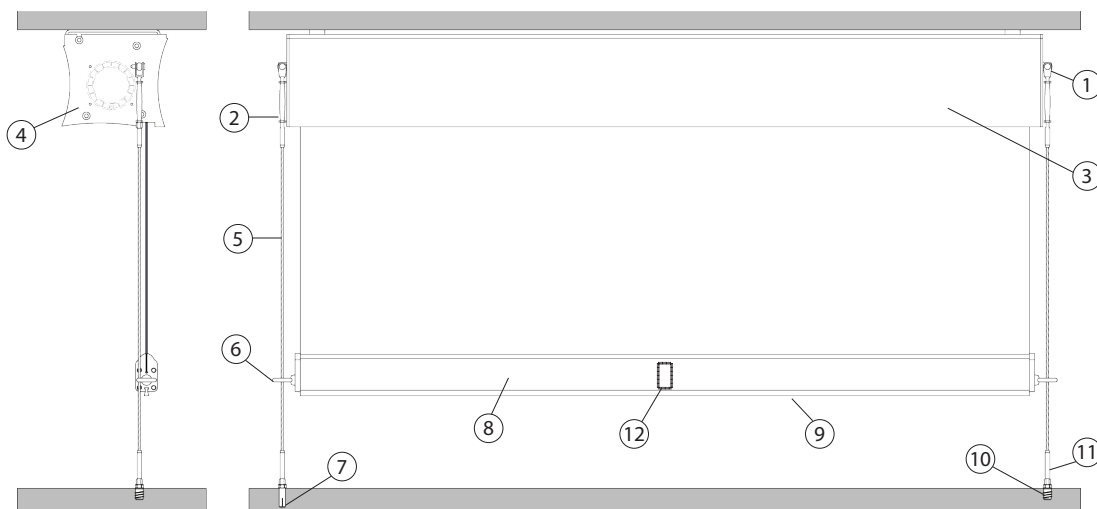


## Securo® Max Wire Guide

Securo®Max wire guides are substituted for the Securo® channel guides. Wire guides are used where there isn't any end fixing to attach the channel guides to. The wire guides incorporate stainless steel wire, eye bolts, jaw/swage pipe turnbuckles, swage studs and drop in anchors.

The maximum size is 10m wide x 3.0m drop. Securo®Max Wire Guide when motorised, can be linked to a building management system, remote controlled and/or with wall switches and with optional light and wind sensors.

Window Treatments has a variety of fabrics for interior/exterior applications. For exterior applications, we recommend TEXTILENE® NANO™ 95 which is a durable and tough synthetic FR fabric made of PVC coated polyester designed for outdoor use. For interior applications, the Securo®Max Wire Guide System can be used in conjunction with a variety of Sunscreen fabrics.

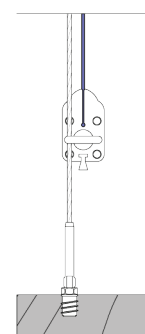
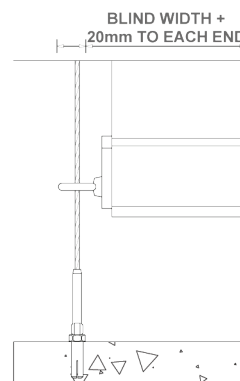
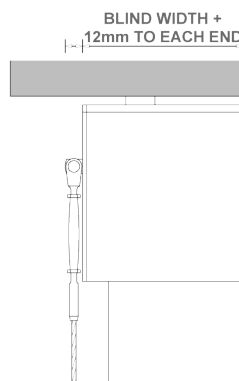
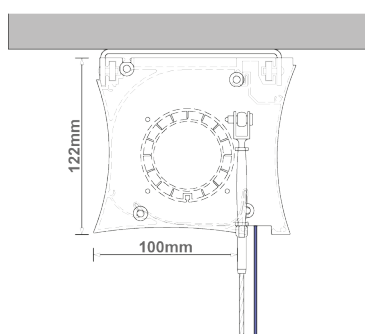


Side View - Head Box/Jaw/Swage Pipe

Front View - Jaw/Swage Pipe

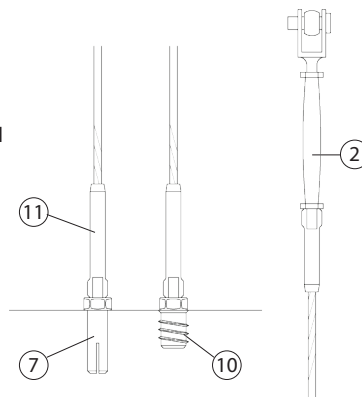
Front View - Eye Bolt/Wire

Side View Bottom Rail



### Key Numbers

- |   |                                       |
|---|---------------------------------------|
| 1. Eyelet                                   | : Stainless Steel 316                 |
| 2. Jaw/Swage Pipe Turnbuckle                | : Stainless Steel S3121P M6/3.0       |
| 3. Head Box                                 | : Aluminium                           |
| 4. End Cap                                  | : Powder Coated over Galvanised Steel |
| 5. 3mm Stainless Steel Cable Wire           | : Stainless Steel 7 x 19 ASIST316     |
| 6. Eye Bolt                                 | : Stainless Steel 316                 |
| 7. Drop in Anchor (Concrete Fixing)         | : Stainless Steel 316                 |
| 8. Bottom Rail                              | : Aluminium                           |
| 9. Soft Touch                               | : Polybond Woolpile                   |
| 10. Counter Sunk Socket Screw (wood fixing) | : Stainless Steel 316                 |
| 11. Swage Stud                              | : Stainless Steel S7801 3mm x M6 316  |
| 12. Stabilising Bolt (optional)             | : Stainless Steel                     |



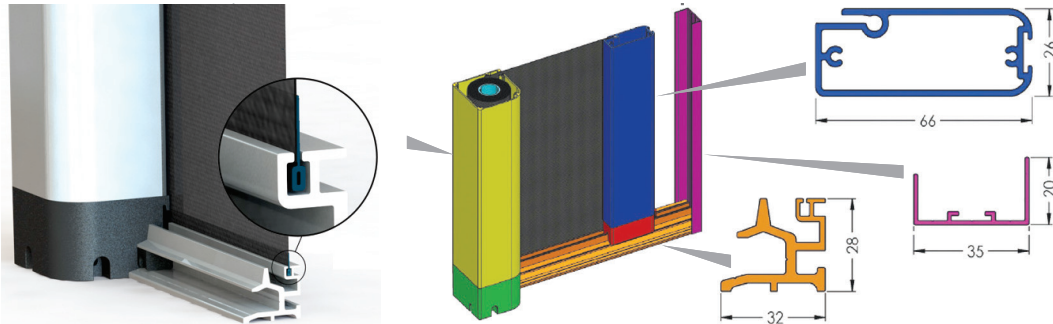
Sec. : Securo  
Date: Aug 2016

SPECIFICATIONS

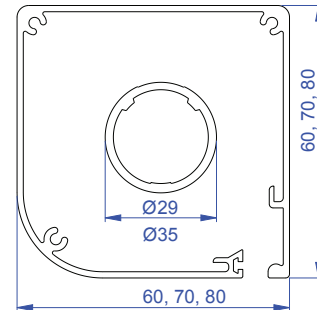
## Securo® Side Roll

Securo® Side Roll finally resolves the problem of achieving light control and insect control whilst providing easy access through sliding doors and French doors. The solution utilises the Securo® fabric locking system with a spring loaded cassette/Head box roller blind but instead of rolling from the top to the bottom, it rolls from side to side.

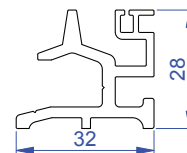
The system has the added benefit of an “easy to use” brake so that the blind can be opened to any desired position. The brake handle is positioned on the sliding stile at normal door handle height.



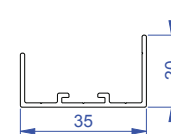
<b>Application</b>	: Interior and Exterior
<b>Maximum Size</b>	: Single screen - 4m W x 2.7m H or Double screen - 8m W x 2.7m H
<b>Operation</b>	: Sliding side to side with brake
<b>Fixing</b>	: Face Fix (recommended) or Top Fix (where Face Fix is not possible)
<b>Material Type</b>	: Interior - Insect Super Screen Exterior - Insect Super Screen
<b>Housing</b>	: Aluminium (60mm x 60mm, 70mm x 70mm or 80mm x 80mm). Fully enclosed one piece housing protecting the roller tube and fabric.



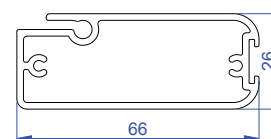
<b>Tube</b>	: Aluminium, 29mm and 35mm dia
<b>Track</b>	: (Top & Bottom) Aluminium 32mm x 28mm



<b>Receiver</b>	: 35mm x 20mm
-----------------	---------------



<b>Stile</b>	: 66mm x 26mm
--------------	---------------

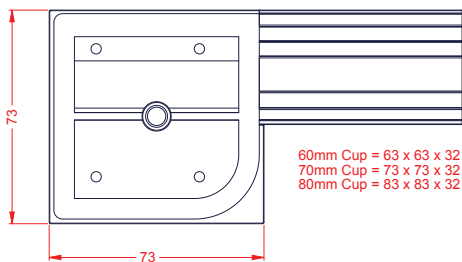
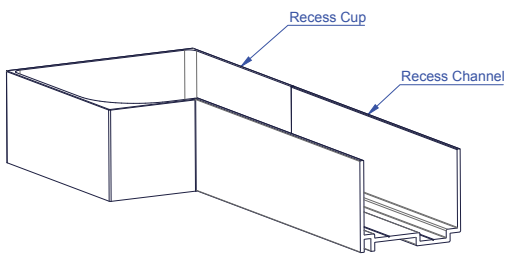
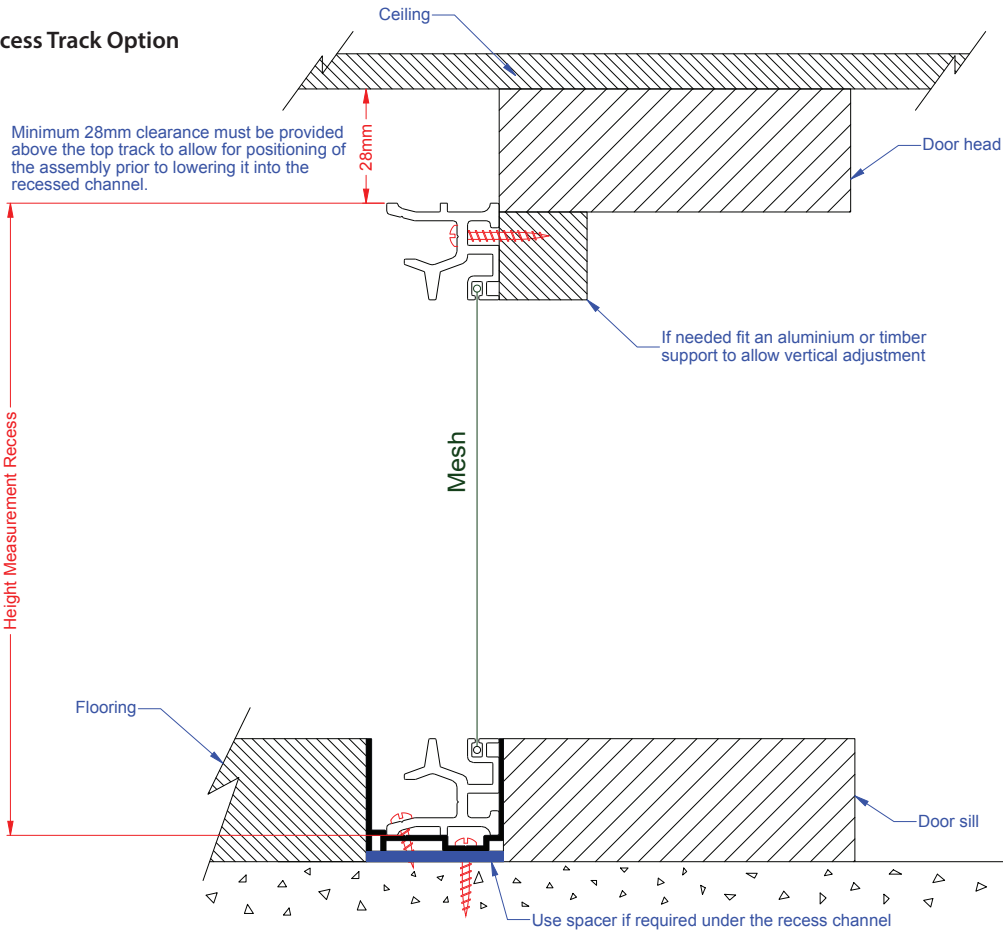


# Securo® - Side Roll

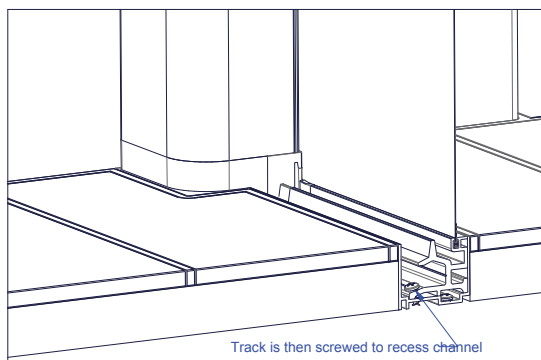
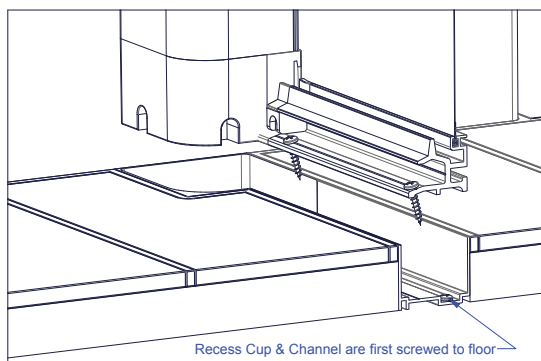


## Securo® Side Roll - Installation Options

### Recess Track Option



Recess channel & cup assembly may be fitted first to allow flooring to be completed. The screen unit may then be fitted at a later stage near project completion.



SPECIFICATIONS

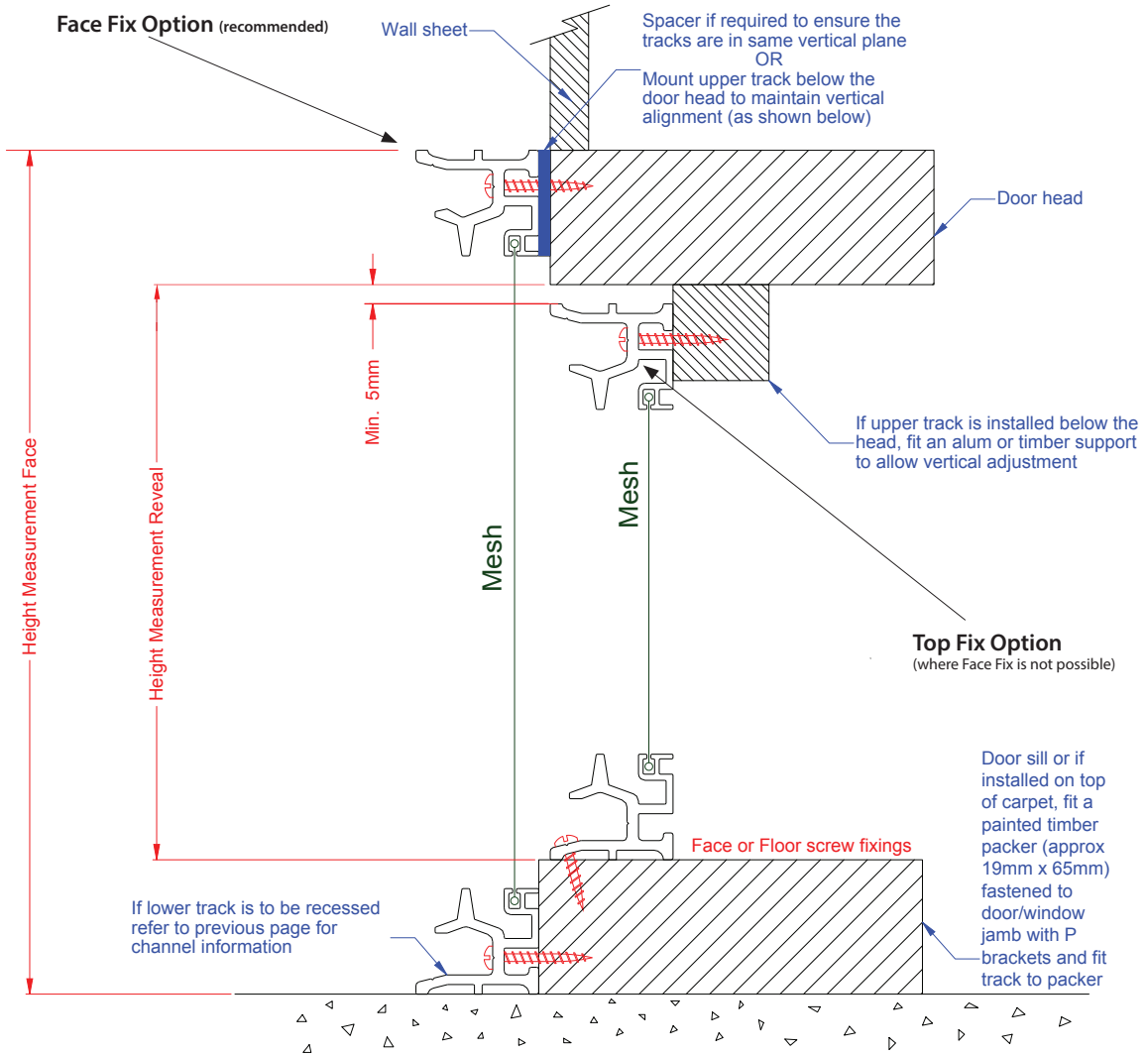
Sec. : Securo  
Date : Aug 2016



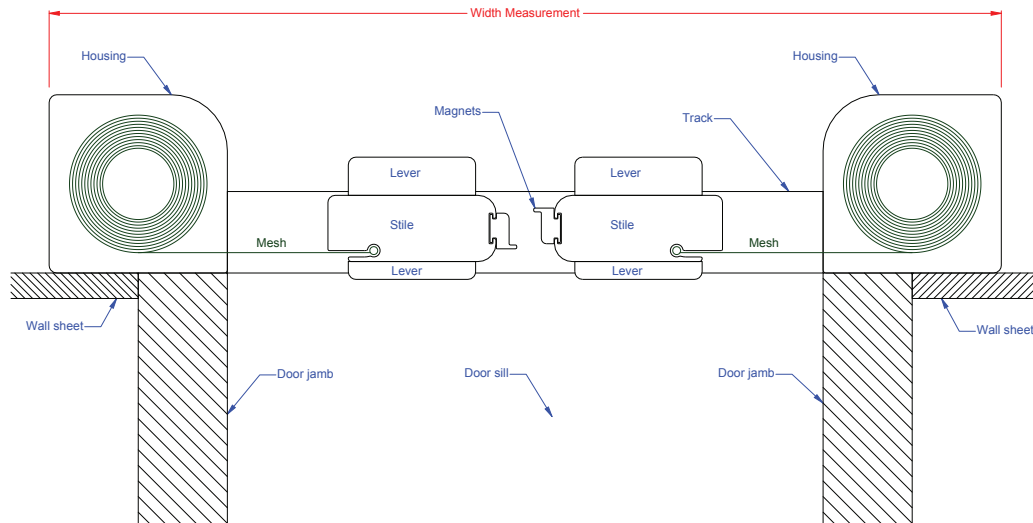
# Securo® - Side Roll

SPECIFICATIONS

## Options for Face Fix and Top Fix (inside door/window jamb)



## Double Screen

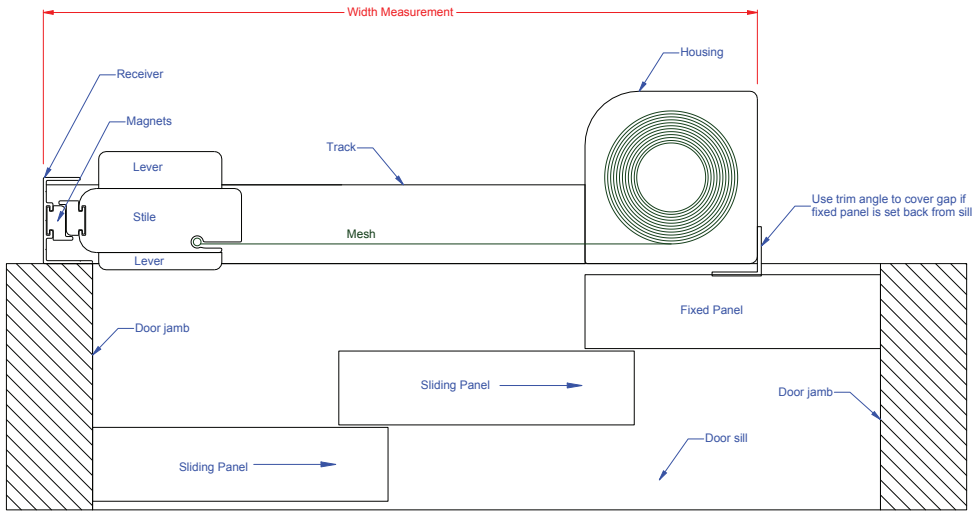


Sec. : Securo  
Date : Aug 2016

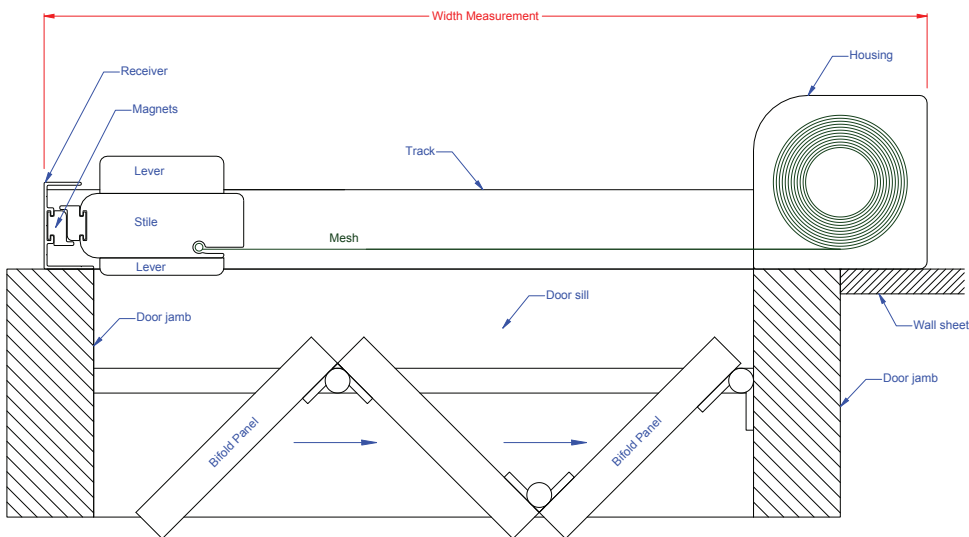
# Securo® - Side Roll



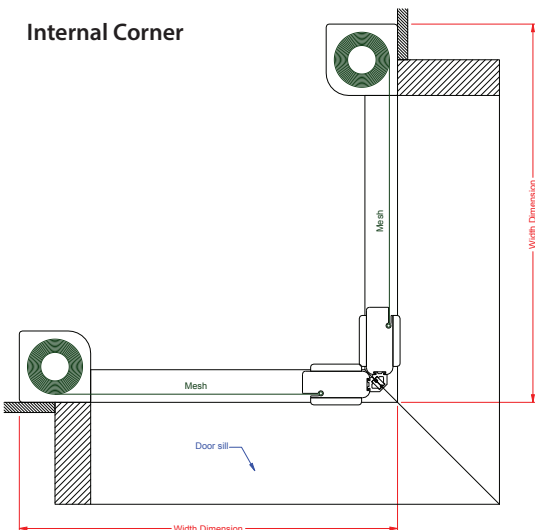
## Exterior Sliding Stacking Doors



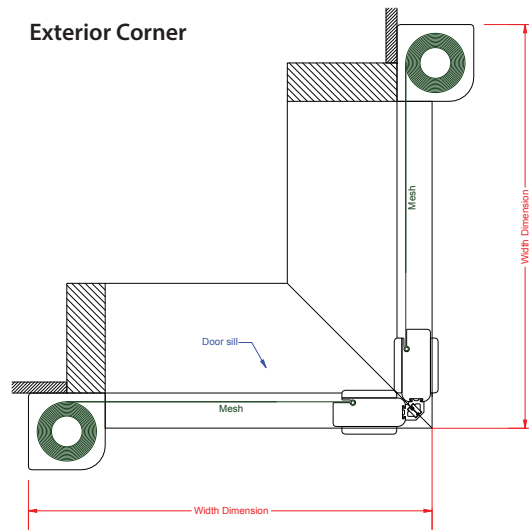
## Exterior Bi-Fold Doors



## Internal Corner



## Exterior Corner

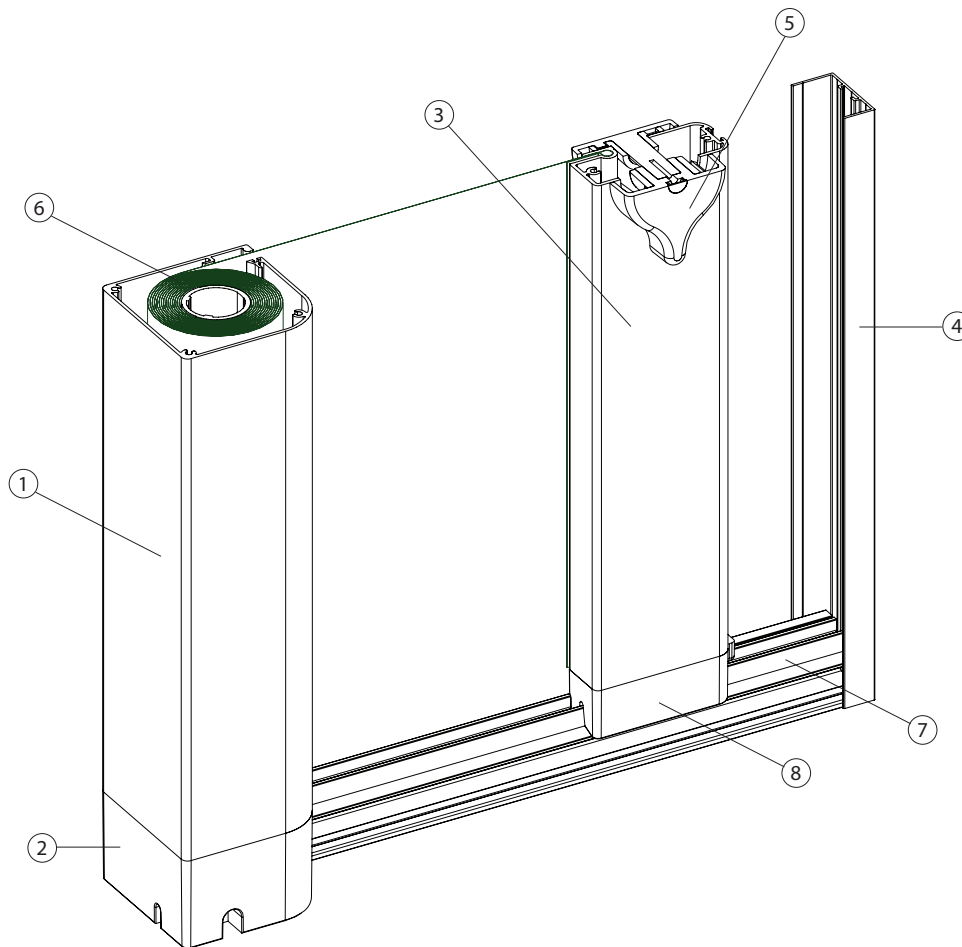


SPECIFICATIONS

Sec. : Securo  
Date: Aug 2016

## Securo® Side Roll

Size Limits		
Housing	Single	Double
<b>60mm</b> Insect Super Screen 240gm/m <sup>2</sup>	Up to 1600mm width x 2700mm drop	Up to 3200mm width x 2700mm drop
<b>70mm</b> Insect Super Screen 240gm/m <sup>2</sup>	Up to 2800mm width x 2700mm drop	Up to 5600mm width x 2700mm drop
<b>80mm</b> Insect Super Screen 240gm/m <sup>2</sup>	Up to 4000mm width x 2700mm drop	Up to 8000mm width x 2700mm drop



### Key Numbers

1. Housing	: Aluminium
2. End Cap	: PVC
3. Stile	: Aluminium
4. Receiver	: PVC
5. Brake Handle	: PVC
6. Tube	: Aluminium
7. Track	: Aluminium
8. Stile Cap and Brake	: PVC
9. Magnet	: Magnet

### Note:

- Colours available for Key numbers (1, 3, 4, 7) are : U6 Metal, New White, T6 Ivory, Z2 Matte Black
- Colours available for Key numbers (2, 5, 8) are : Black, White

Sec. : Securo  
Date : Aug 2016

## Fabric Overview



The Window Treatments range of fabrics offers endless opportunities when used in commercial or domestic internal applications. We supply various fabrics which comprise of intelligent energy saving screen fabrics, ecologically friendly, fire retardant, PVC free, mould and mildew resistant, light-filtering to block-out fabrics. For all fabrics, specifications are available on request.

### Sunscreens:

The intelligent fabrics M-Screen and E-Screen ranges have been assessed and listed on Ecospecifier as an environmentally friendlier choice. They can achieve significant reductions in the demand for air conditioning, reducing electricity consumption and greenhouse gas emissions. The Techno Screen range is very cost effective and works well in both commercial and domestic situations. Techno Screen is dimensionally stable and comes in a wide range of colours in both 5% and 3% openness. Both Screen ranges are fire retardant.

### Light-filtering Fabrics:

Our light filtering fabrics provide more privacy than screen fabrics but still allow you to enjoy ambient light. The lighter the fabric colour the more ambient light you will achieve in the room. 100% polyester and acrylic coated, the Filtra range is also PVC Free.

### Block-out Fabrics:

We carry an extensive range of block-out fabrics, some with a textured finish and others with foam or white flocked acrylic backing. These fabrics are ideally suited for computer rooms, offices, home theatre and bedrooms as they prevent glare and provide complete block-out when required. Most of our block-out fabrics are PVC free and all are resistant to mould and fungi, making block-out blinds ideal for installations in areas of high humidity and moisture.

### Exterior Fabric:



When using **Securo® Wire Guide** for exterior applications, we recommend **TEXTILENE® NANO™ 95 Solar Screen** which is a durable and tough woven vinyl coated 420 denier polyester core yarn that is formulated to withstand solar damage.

For **Securo® Insect Screen**, Window Treatments uses Super Screen® (Clear View) woven fabric with .014" diameter vinyl coated 420 denier polyester core yarns in the warp and weft.

### Fabric Types:

Fabric Type	Maximum Width	Maximum Drop without Weld	Maximum Drop with Weld	Internal	External
<b>Securo® Insect Screen</b>					
Super Screen	1.95m	2.15m		Yes	No
<b>Securo® Junior</b>					
Textilene® Nano™ 95	1.95m	1.3m		Yes	Yes
M Screen	1.95m	1.5m		Yes	No
Block-out	1.95m	2.2m		Yes	No
Enviroshade & Filtra	1.95m	2.15m		Yes	No
<b>Securo® Channel Guide 75</b>					
Textilene® Nano™ 95	3.9m	1.3m		Yes	Yes
M Screen	3.9m	1.5m		Yes	No
Block-out	3.9m	2.2m		Yes	No
Enviroshade & Filtra	3.9m	2.0m		Yes	No
Clear PVC	3.9m	1.37m		Yes	Yes
<b>Securo® Channel Guide 95</b>					
Textilene® Nano™ 95	3.9m	3.0m		Yes	Yes
M Screen	3.9m	3.0m		Yes	No
Block-out	3.9m	2.7m		Yes	No
Enviroshade & Filtra	3.9m	2.4m	3.0m	Yes	No
Clear PVC	3.9m	1.37m	2.7m	Yes	Yes
M Screen 3.0m subject to availability					
<b>Securo® Max</b>					
Textilene® Nano™ 95	10m	3.0m		Yes	Yes
*Techno Screen	10m	3.0m		Yes	No
<b>Securo® Side Roll</b>					
Insect Super Screen	4.0m	2.7m		Yes	Yes

\*For Securo® Max blinds exceeding 3000mm wide Techno Screen is railroaded and a disclaimer is required.

Sec. : Securo  
Date: Dec 2017



# Securo® - Fabric

SPECIFICATIONS

## TEXTILENE® NANO™ 95

### Solar Screen Fabric 5% Openness

When using **Securo® Wire Guide** or **Securo® Max Wire Guide** for exterior/interior applications we recommend **TEXTILENE® NANO™ 95** Solar Screen. This fabric is a tough woven durable vinyl coated 420 denier polyester yarn that is formulated to reduce heat transfer through windows before it reaches the glass. This fabric also reduces the glare and harmful rays from the sun. Flame resistant and fade resistant, **TEXTILENE® NANO™ 95** Solar Screen is a durable alternative for insect screen. Excellent for daytime privacy without blocking the view, this versatile fabric will endure years of outdoor use. **TEXTILENE® NANO™ 95** Solar Screen blocks up to 95% of the sun's rays. **TEXTILENE® NANO™ 95** Solar Screen specifications are available on request.

Attribute	ATSM	Warp	Fill	Typical
CONSTRUCTION, end/inch	D3775-96	34.0 ± .5	34.0 ± .5	
WEIGHT oz/yd <sup>2</sup> / g/m <sup>2</sup>	D3776-96			14.7 / 498.5
TENSILE STRENGTH (Grab), lbf / kgf	D5034-95	423.6 / 192.1	382.2 / 173.4	
TENSILE STRENGTH (Strip), lbf / kgf	D5033-95	218.5 / 99.1	188.4 / 85.5	
TENSILE STRENGTH (Trapezoidal), lbf / kgf	D1117-97	58.4 / 26.5	42.2 / 19.1	
ELONGATION, %	D5035-95	25.9	28.3	
ABRASION RESISTANCE (CS10/500 cycles/ with no added weight)	D3884-92	No exposure of core yarn		
FLAMMABILITY RATING	CA Title 19 & NFPA 701			
WEATHERABILITY, 1200 hours	G53-96	No Discolouration		
MILDEW RESISTANCE	G21-96	Pass		
THICKNESS, inches/mm				0.026" / .66mm

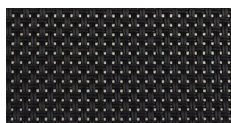
Twitchell Exterior Shade Material - 45 Degree Profile Angle									
Description	Ts	Rs	As	Tv	Rv*	Av*	O-F*	SC 1/8" Cl.	R-Factor* 1/8"
Dark Colours	8	8	84	7	9	77	9	0.18	1.365
Light Colours	9	23	68	10	27	56	9	0.17	1.365

**Fire Classification:** Passes California U.S. Title 19 (small scale), NFPA701-2004 TM#1 (small scale), NFPA 101 (Class A Rating), UBC (Class 1), BS 5867 2008 Part 2 Type B Performance, NFPA 701 TM#2 (large scale), and CAN/ULC-S 109-03 (large and small scale).

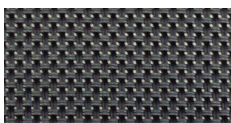
**Environmental Certification:** GREENGUARD gold certified. Acceptable for use in environments such as schools and healthcare facilities. Complies with requirements of the State of California's Department of Public Health "Standard Method for Testing and Evaluation of Volatile Organic Chemical Emissions from Indoor Sources Using Environmental Chambers, Version 1.1 (2010)" (also known as California Section 01350).

**RoHS Compliant:** Free of Lead (Pb), Cadmium (Cd), Mercury (Hg), Hexavalent chromium (Hex-Cr), Polybrominated biphenyls (PBB), and Polybrominated diphenyl ethers (PBDE).

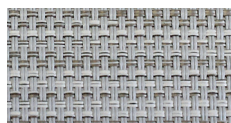
**Bacteria and Fungal Resistance:** Passes ASTM E 2180, ASTM G22, AATCC30 Part 3, ASTM G21, ASTM D 3273. Includes specially formulated antimicrobial.



Black



Charcoal

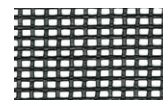


Shadow Texture

**PLEASE NOTE: Colours shown are indicative only. Fabric samples are available on request.**

## Insect Screen

**Composition** Super Screen® (Clear View) - A woven fabric using .014" diameter vinyl coated 420 denier polyester core yarns in the warp and weft. Super Screen® (Clear View) specifications are available on request.



## Clear PVC

**Composition** PVC Super Clear sheet laminated  
**Thickness** 0.75mm

Physical Properties		1.0mm x 48PHR	0.8mm x 46PHR	Test Method
TENSILE STRENGTH (kg/cm <sup>2</sup> )	MD	278.1	253.8	ASTM D-882
	CD	230	223.1	
ELONGATION (%)	MD	350	338	ASTM D-882
	CD	387	385	
TEAR STRENGTH (kg/mm)	MD	8.2	8.5	ASTM D-1004
	CD	8.7	8.0	

Sec. : Fabric  
Date: Aug 2016