



# Terrazza Patio Awning



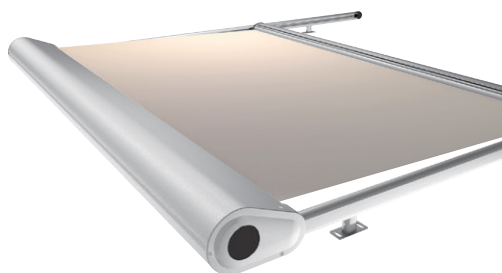
# SPECIFICATIONS

Sec. : Awnings  
Date : Jul 2019



# SPECIFICATIONS

# Terrazza Patio Awning



Terrazza Awnings are ideal for providing external sun and wind control and mounted “on top” of a pergola, glass or open roof. In special cases Terrazza can be installed under a pergola or glass roof using additional custom made brackets however the system is primarily designed for “on top” installations. The Terrazza awning has been developed using European technology and components can be installed at any angle/pitch (0° - 180°) providing the cassette and front bar are positioned horizontally level. As Terrazza is designed for sun and wind control only, we recommend retracting the awning when rain is imminent.

All parts are designed for the outdoors with aluminium sliding rails, cassette box, front rails and hard wearing PVC components. Manufactured in New Zealand exclusively by Window Treatments NZ Ltd and covered by a three year warranty.

## Motorised Operation Overview



Terrazza awnings are automated using Somfy’s range of motors. These robust motors set the standard for awning automation. Somfy’s wide range of weather sensor options include sun, wind and rain control.

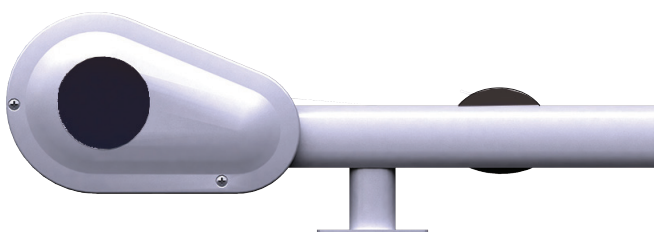
Motorisation of the Terrazza awning (with sensor options) allows you to extend or retract the awning automatically when it is needed. The benefits of this include protecting your Terrazza awning from wind damage, making the building appear occupied, and maintaining a comfortable indoor temperature which can reduce cooling costs. A variety of control options are available to suit different automation requirements such as individual control, multiple control, group control, master control or automatic control using weather sensors.

Window Treatments NZ Ltd is an Authorised Somfy Automation Expert. For further information on how a Somfy Automated solution can enhance your design, please contact [motorisation@window-treatments.co.nz](mailto:motorisation@window-treatments.co.nz)

## Hardware Colours

### Standard Colour

Most external parts including, cassette, aluminium rails and bottom rail are available in U6 Metal, New White, T6 Ivory, Z2 Matte Black. End caps 1a. and 2a. (see over) are only available in black.



Robust Aluminium fixing brackets colour coordinated with aluminium guide rails, cassette box & front bar

### Special Colours

Special colours are available (by request) on most parts including cassette, aluminium rails, and brackets. End caps 1a. and 2a. and moving wheel assembly (see over) are only available in black.

## Fabrics

A wide variety of colours and fabric options are available for commercial and domestic applications. Our fabrics have excellent U.V. and light fastness protection. For Solar Screen, Window Treatments recommend Techno X. Techno X is a durable and tough synthetic fabric made of PVC coated polyester. Designed to reduce heat transfer, this fabric also reduces the glare and harmful rays from the sun. While blocking the sun’s rays, Solar Screen can help reduce energy costs and provide protection to your furnishings. Flame resistant and fade resistant. Excellent for daytime privacy without blocking the view, this versatile fabric will endure years of outdoor use. Techno X blocks 87% - 93% of the sun’s rays.

### Maximum Size:

4.0m wide, projection of up to 4.0m (maximum coverage must not exceed 12m<sup>2</sup>).

**Note:** A degree of sagging of fabric will occur on larger Terrazza awnings. This sagging can be partly controlled with adjustment to the interior spring tensioning system but will not eliminate sagging completely.

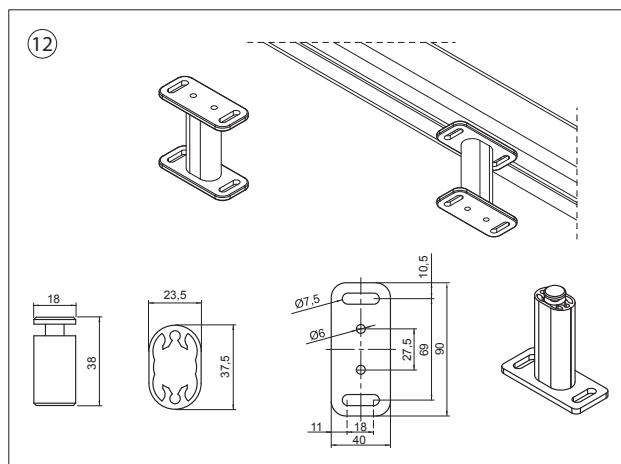
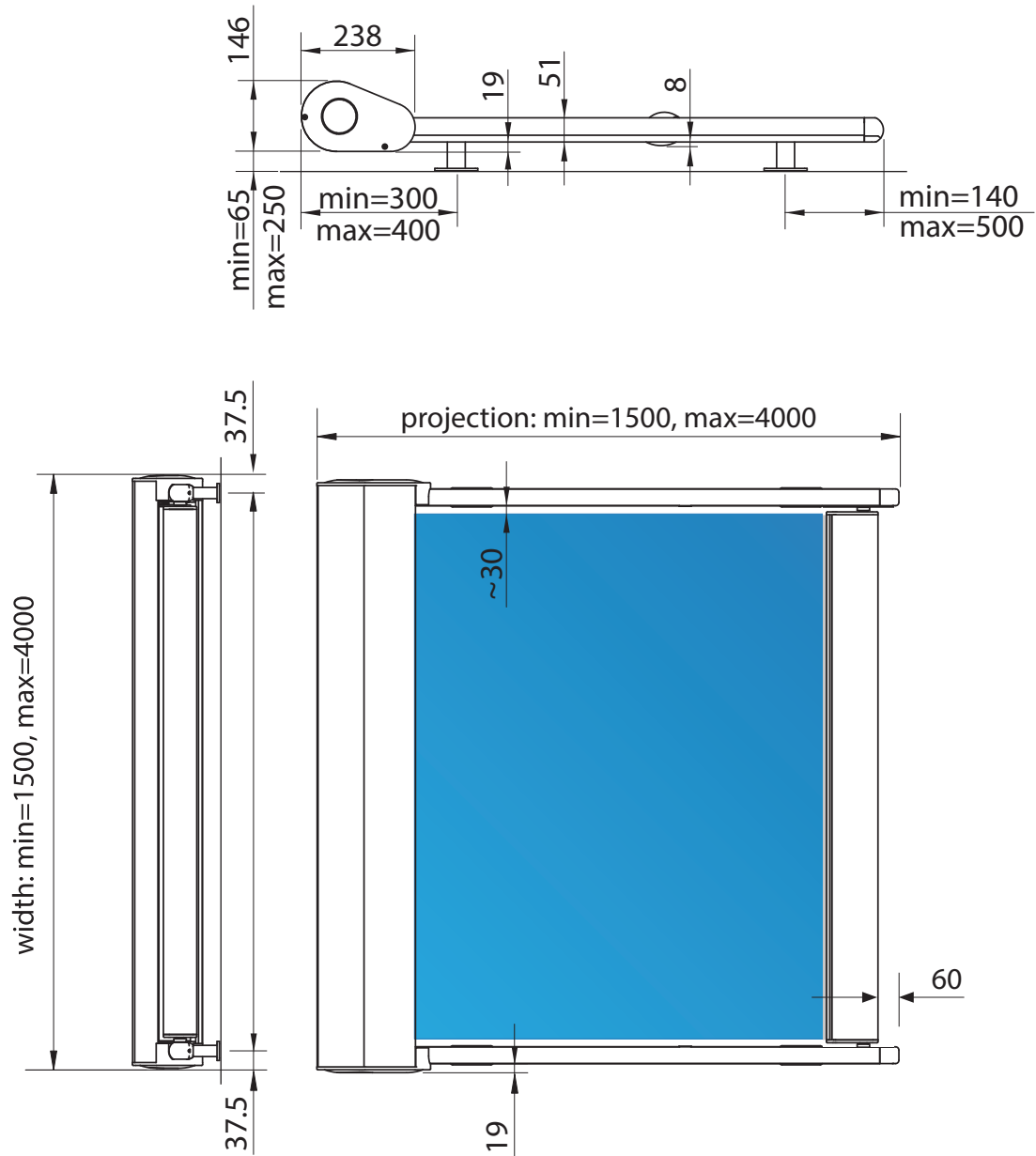
SPECIFICATIONS

Sec. : Terrazza  
Date : Jul 2019

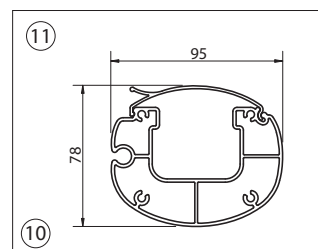
# Terrazza Patio Awning

SPECIFICATIONS

## Dimensions



Note: Combined Width and Projection dimensions must not exceed maximum coverage of 12m<sup>2</sup>

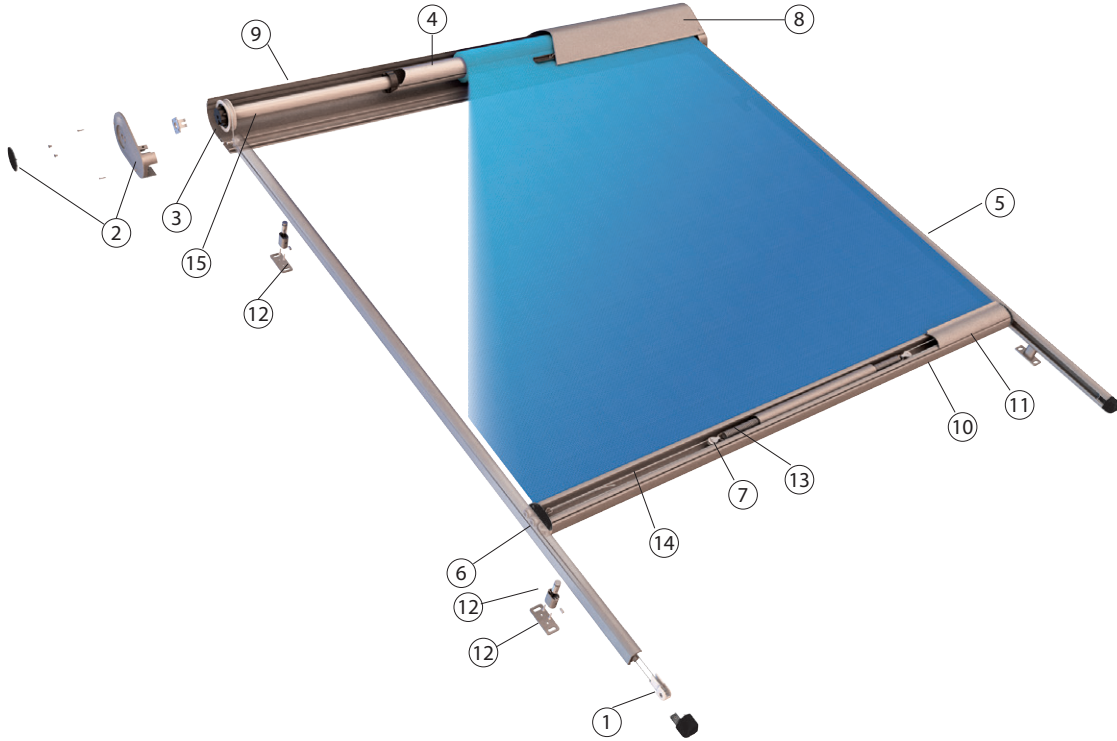


# Terrazza Patio Awning



SPECIFICATIONS

## Terrazza



## Terrazza Components



ISSUE: TE-03-002

Sec. : Terrazza  
Date: Aug 2015

# Awnings - Motorisation Terrazza

## Motorisation



Terrazza awnings are automated using Somfy's range of motors. These robust motors set the standard for awning automation. Somfy's wide range of weather sensor options include sun, wind and rain control.

Motorisation of the Terrazza awning (with sensor options) allows you to extend or retract the awning automatically when it is needed. The benefits of this include protecting your Terrazza awning from wind damage, making the building appear occupied, and maintaining a comfortable indoor temperature which can reduce cooling costs. A variety of control options are available to suit different automation requirements such as individual control, multiple control, group control, master control or automatic control using weather sensors.

Window Treatments NZ Ltd is an Authorised Somfy Automation Expert. For further information on how a Somfy Automated solution can enhance your design, please contact [motorisation@window-treatments.co.nz](mailto:motorisation@window-treatments.co.nz)

## Terrazza Motorisation

Terrazza uses four different types of motors for automation depending on the size of the installation. Refer to Motor selection chart.

Motor Selection		<6m <sup>2</sup>	>6m <sup>2</sup>
Terrazza	RTS	Altus 25/17	Altus 40/17
	WT	Gemini 25/17	Mariner 40/17

KEY:  
 WT = Mechanical switch hardwired to the motor.  
 RTS = Remote control (handheld or wallmounted)  
 Maximum Width: 4.0m  
 Maximum Projection: 4.0m  
 Note: Maximum coverage must not exceed 12m<sup>2</sup>

Performances	Altus 25/17	Gemini 25/17	Altus 40/17	Mariner 40/17
Torque	25 Nm	25 Nm	40 Nm	40 Nm
Nominal Voltage	230v	230v	230v	230v
Rated Current	0.8 A	0.8 A	1.2 A	1.2 A
Rated Power	170W	170W	270W	270W
Speed	17 RPM	17 RPM	17 RPM	17 RPM
Thermal Protection	4 Min	4 Min	4 Min	4 Min
Radio Frequency	433.42	433.42	433.42	433.42
Sound Level (DB)	56	56	57	57
Cable Length	3000mm	2500mm	3000mm	2500mm
IP Rating	IP 44	IP 44	IP 44	IP 44
Insulation Class	I	I	I	I

## Somfy Sensors

Weather Sensors can be used for automatic control. These include rain, wind and sun sensors. Rain and wind sensors will retract your awning when it is raining, or if wind speeds exceed 35 km/h. The sun sensor works on light level and can be programmed to a specific light level.

